

Mountain Top® Alu Liner

Installation manual

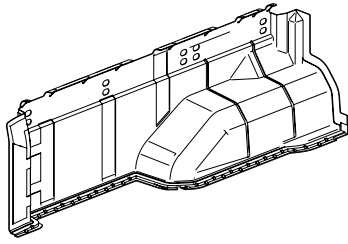


DOWNLOAD PDF



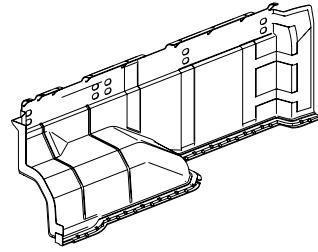
Parts

A



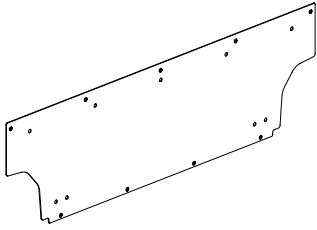
x 1

B



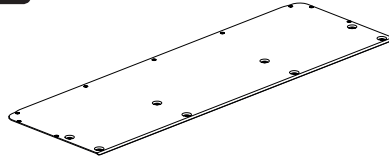
x 1

C



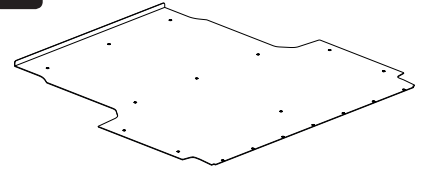
x 1

D



x 1

E

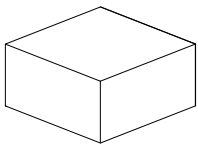


x 1



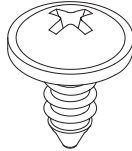
Kit

F



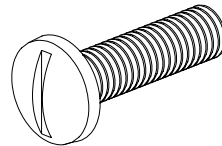
x 2

G



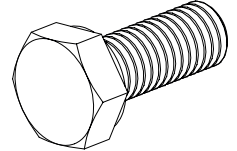
x 36

H



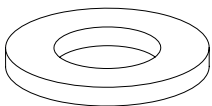
x 5

I



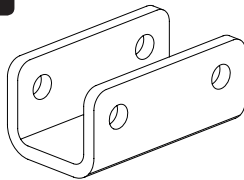
x 4

J



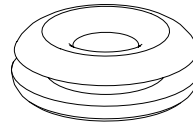
x 4

K

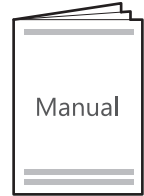


x 2

L



x 4

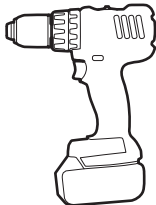


x 1

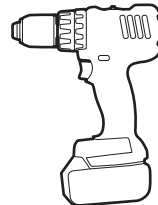


Tools and materials needed

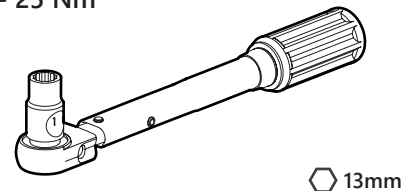
10 mm
Ø 3,5 + 17 mm



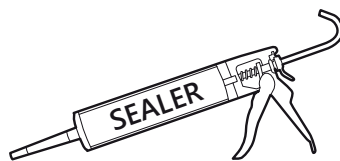
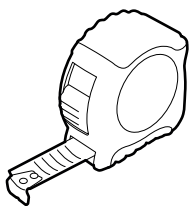
PH 1
2300 RPM



1 - 25 Nm



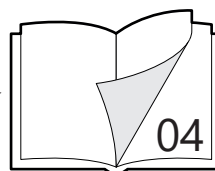
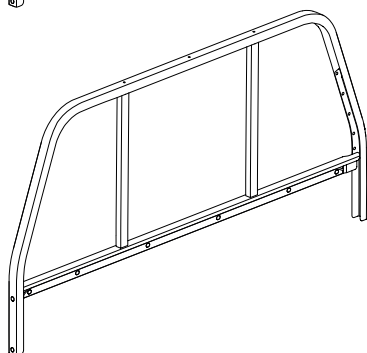
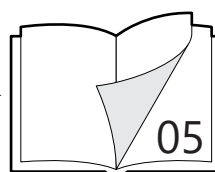
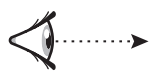
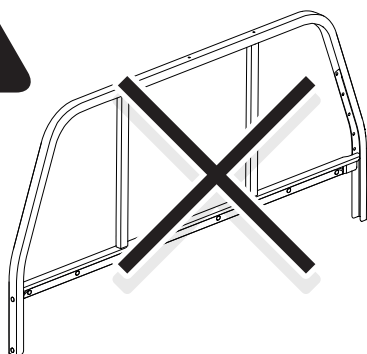
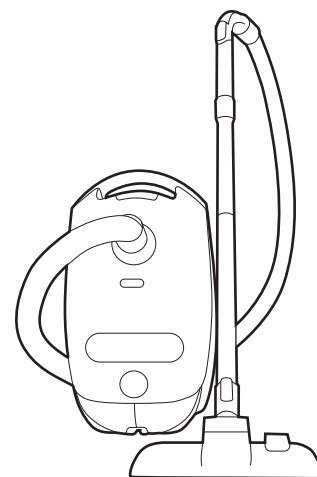
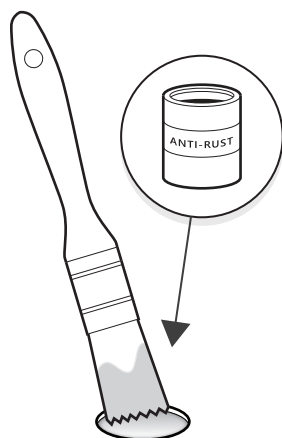
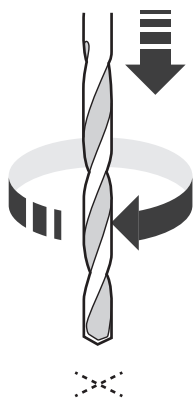
13mm

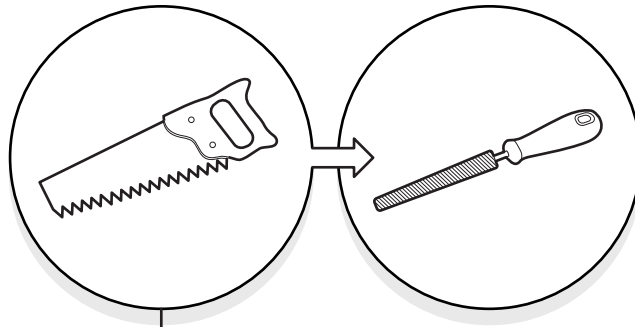


Rust protection
Rostschutzmittel
Anti-rouille
Anti roest

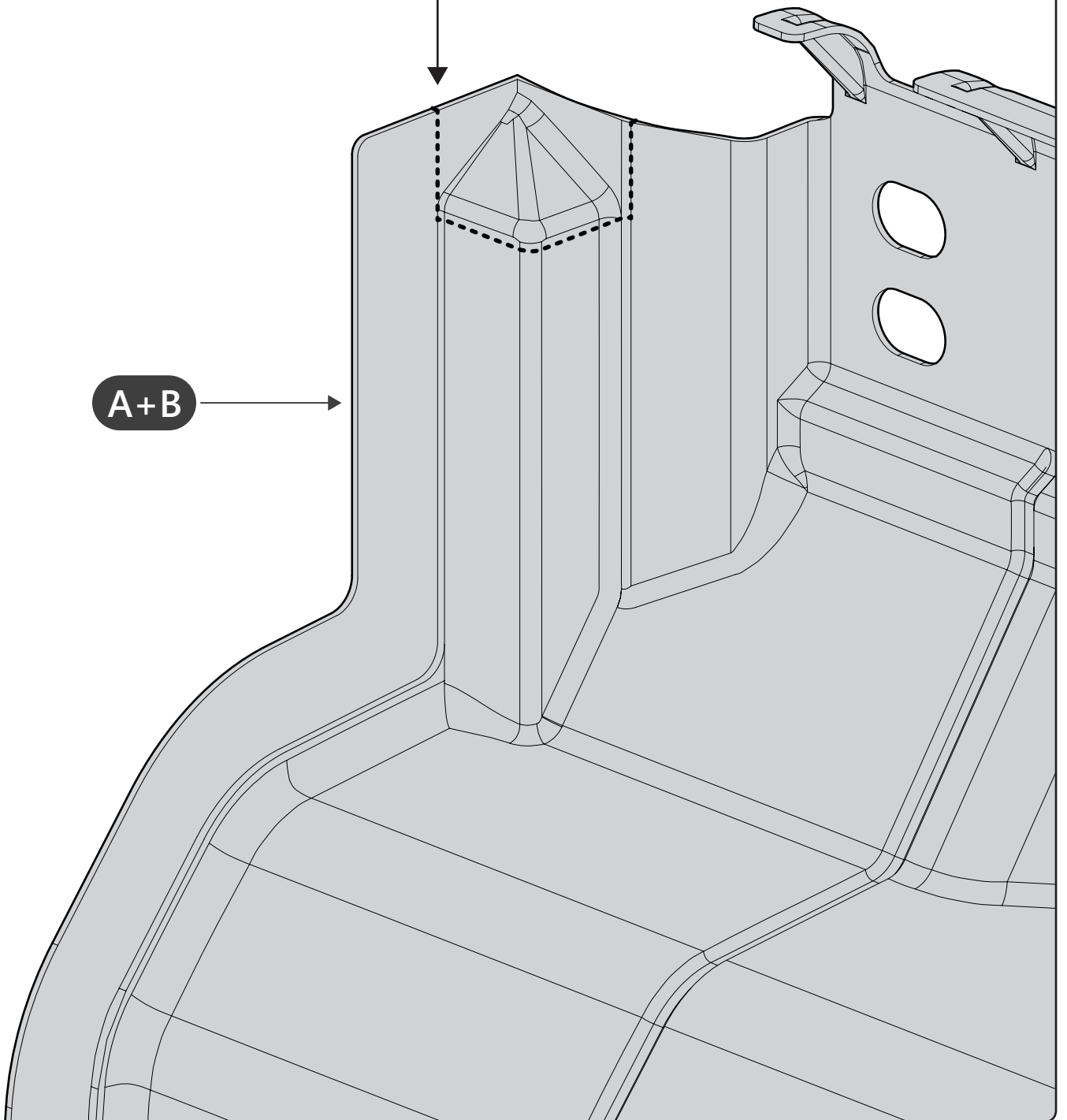
1

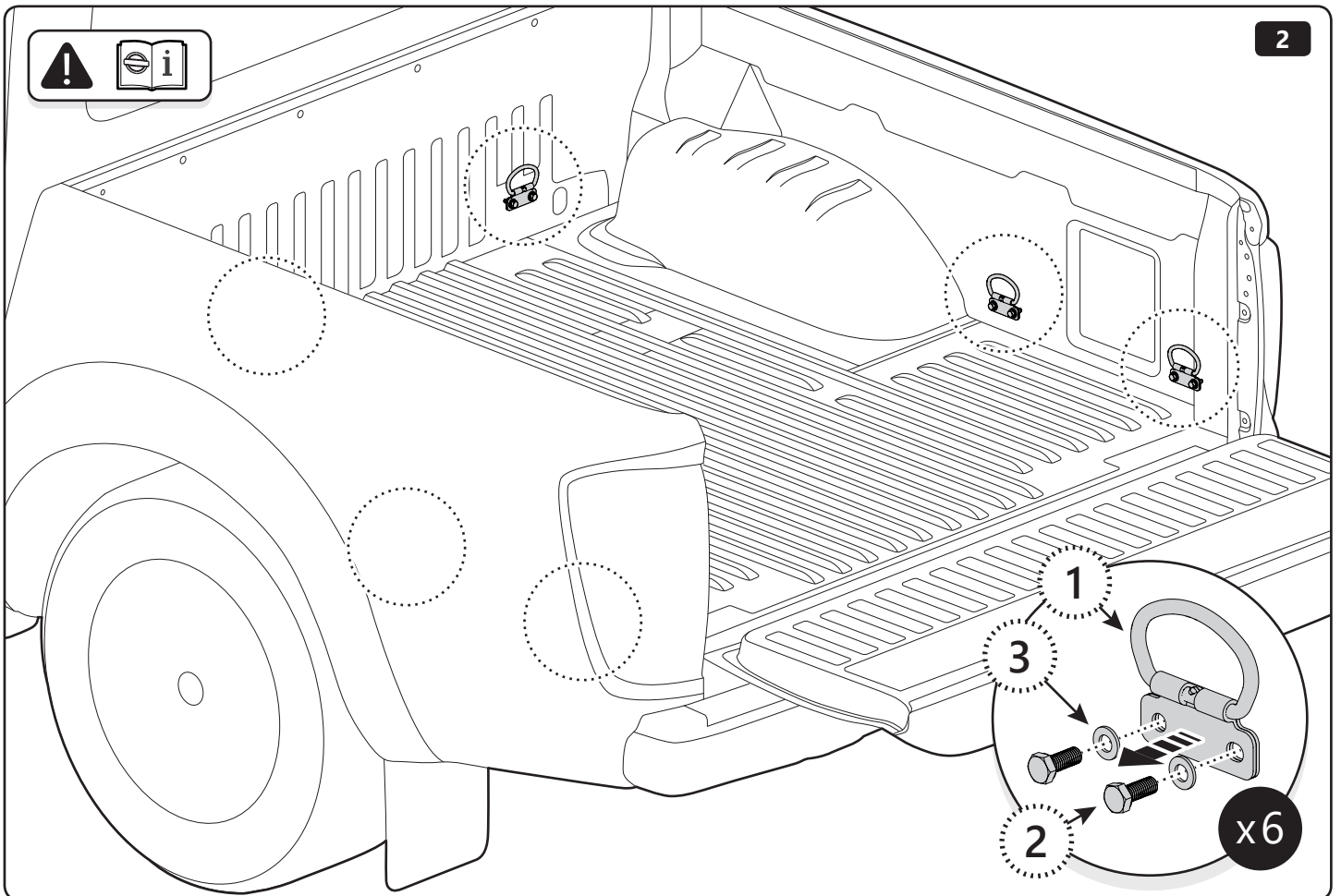
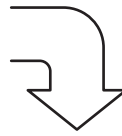
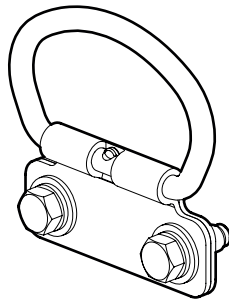
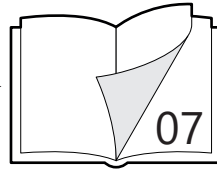
Applying rust protection

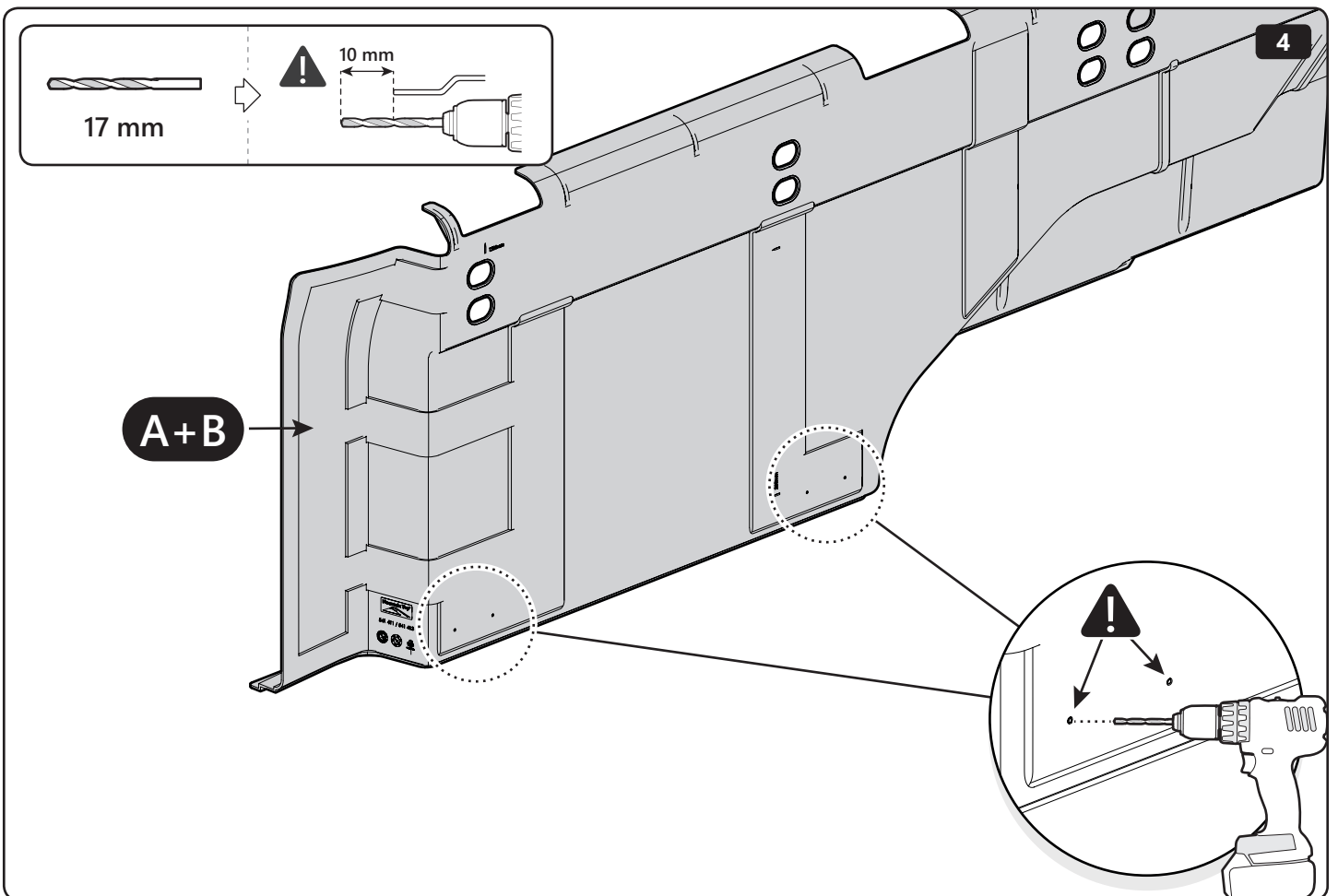
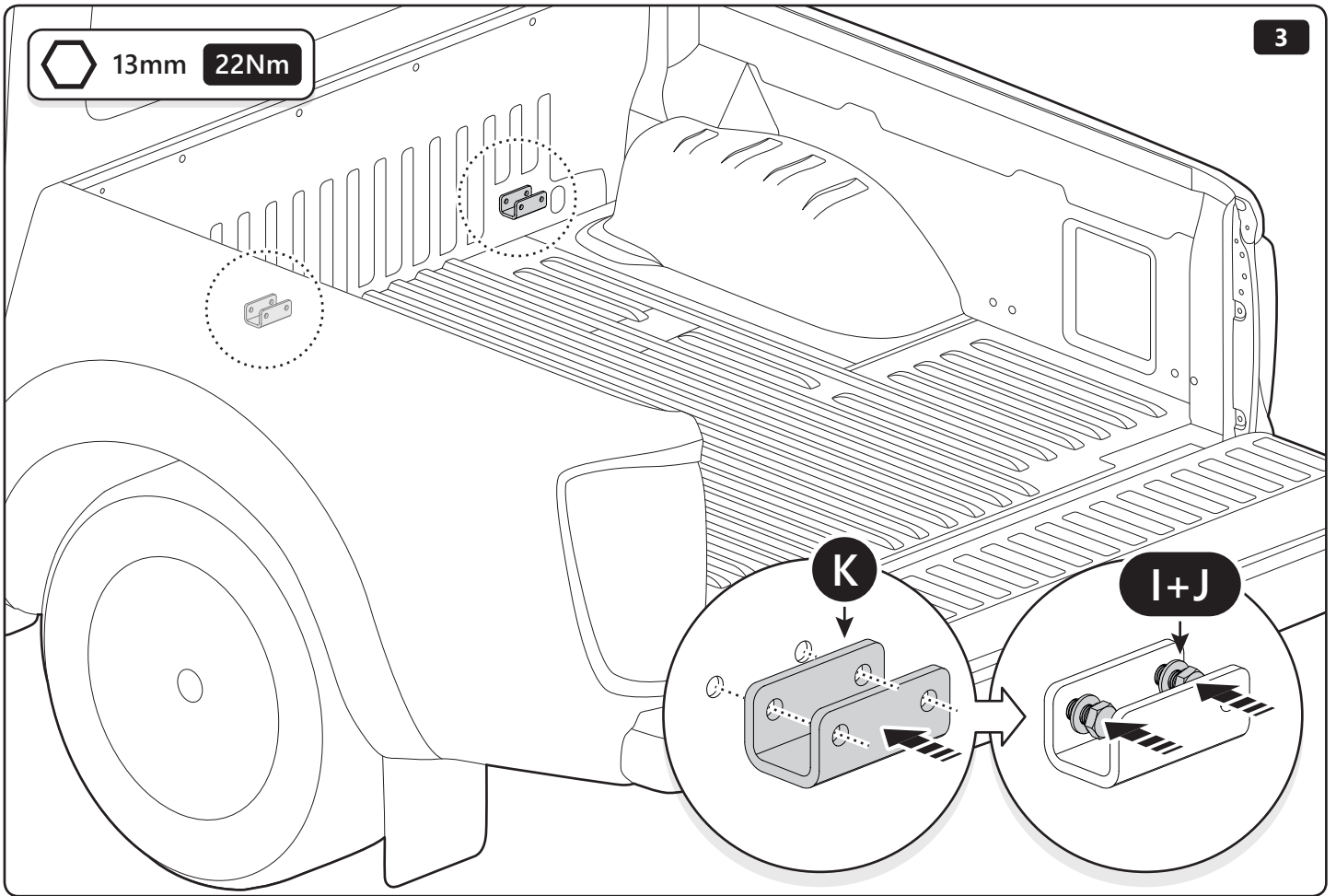


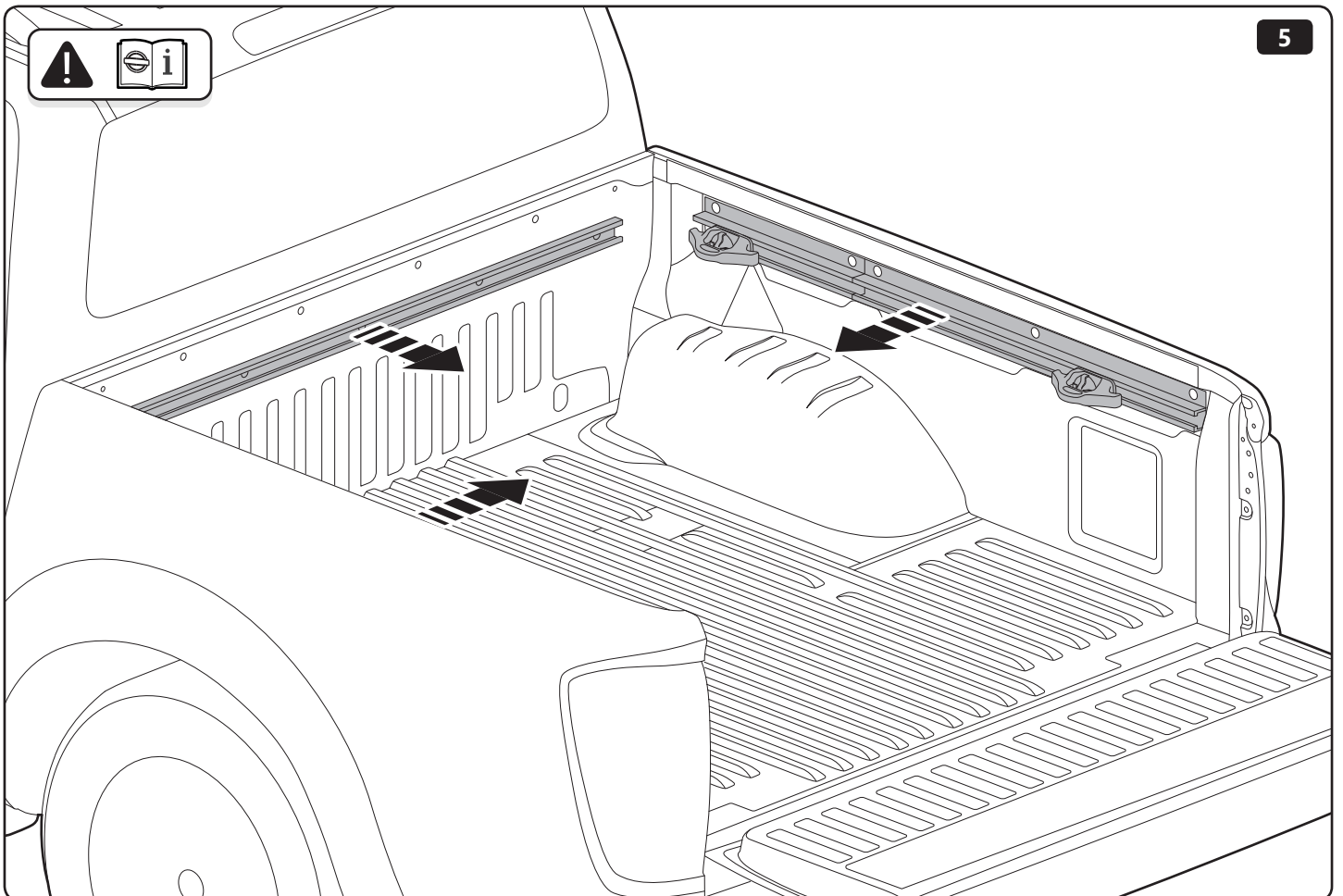
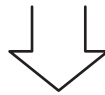
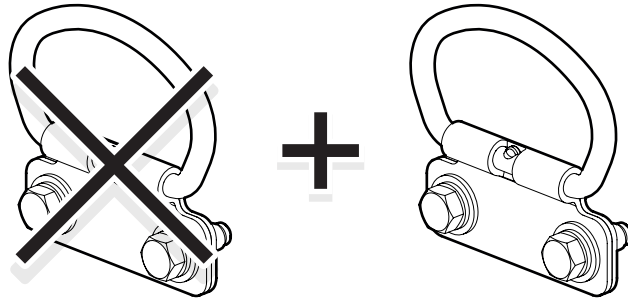


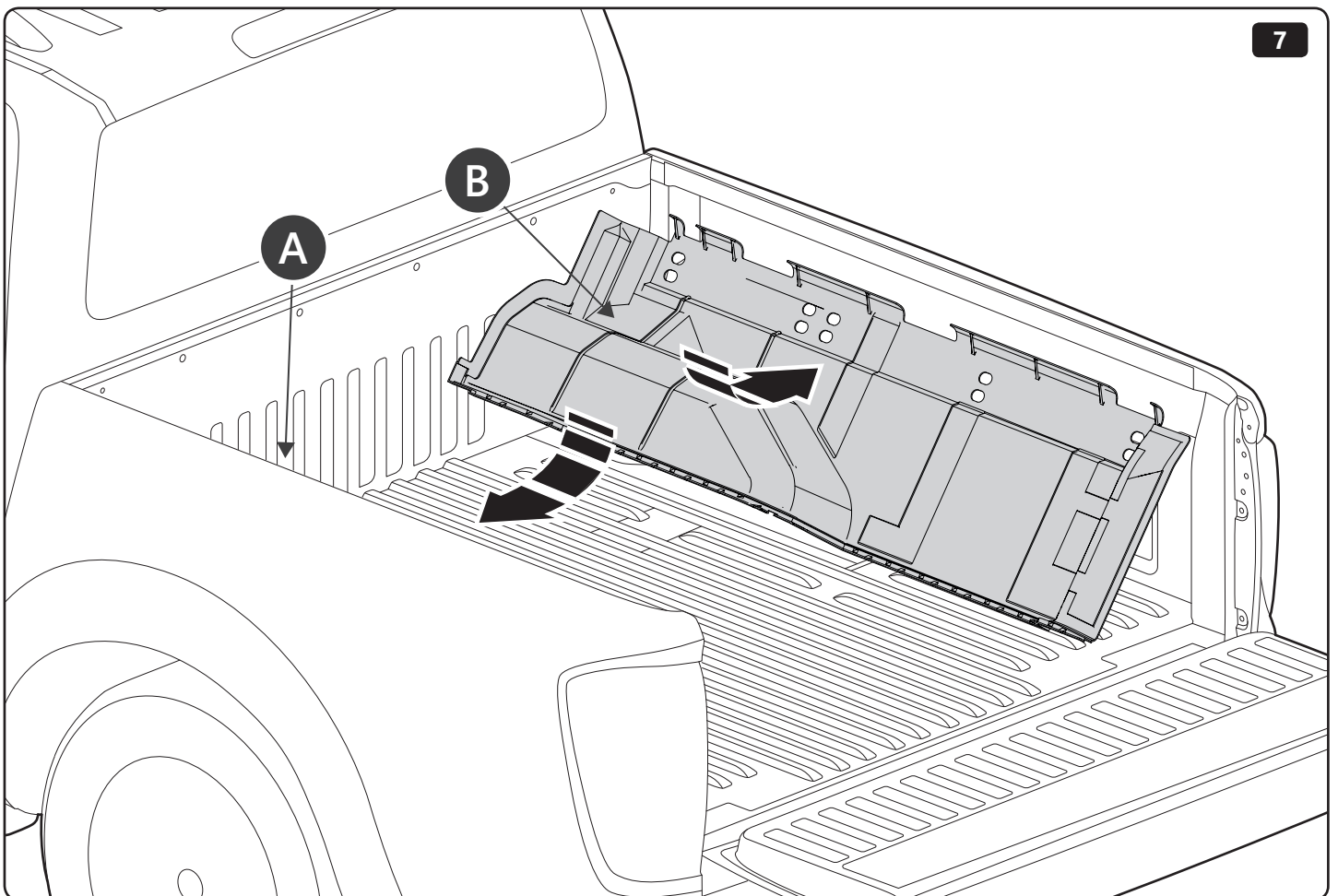
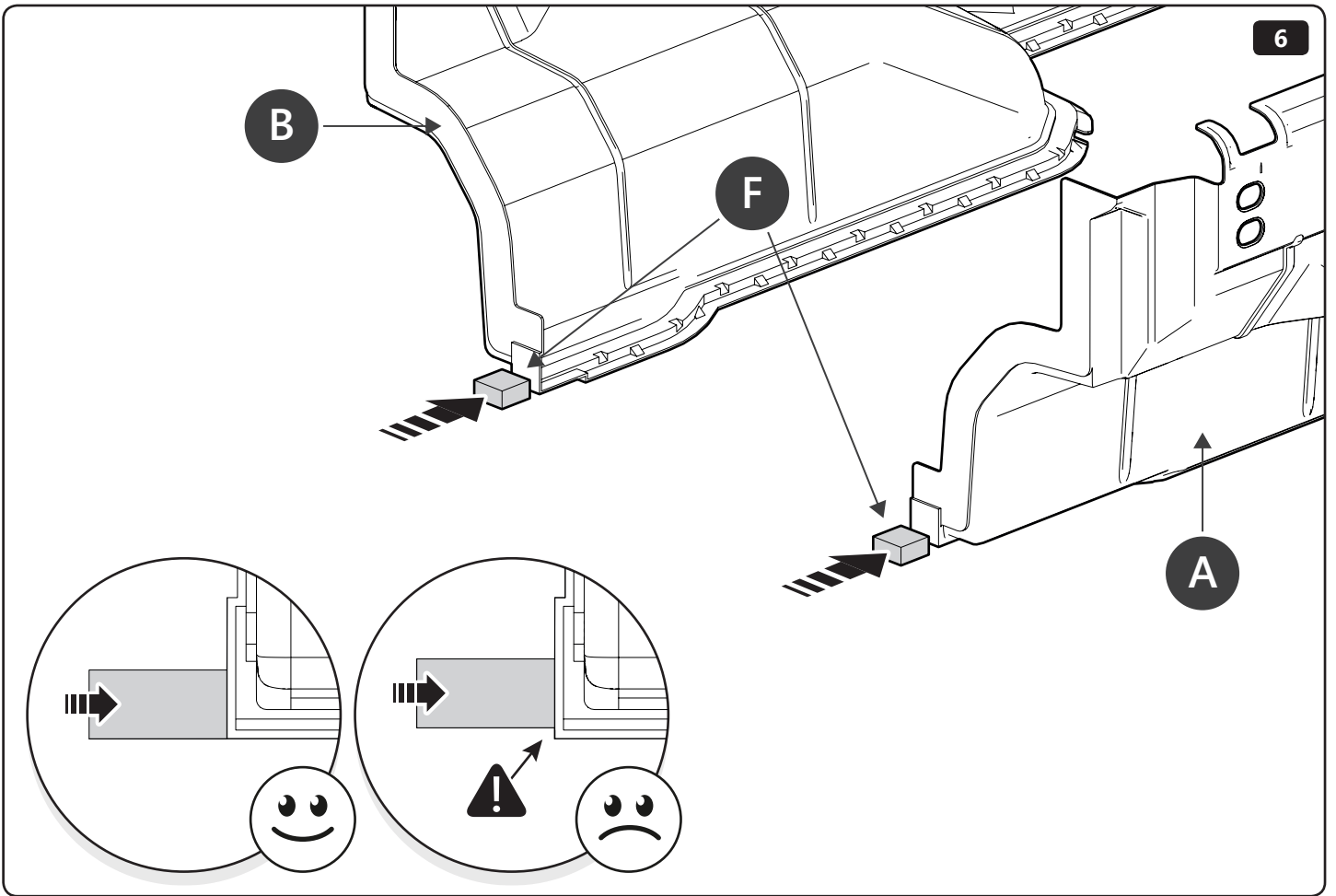
A+B



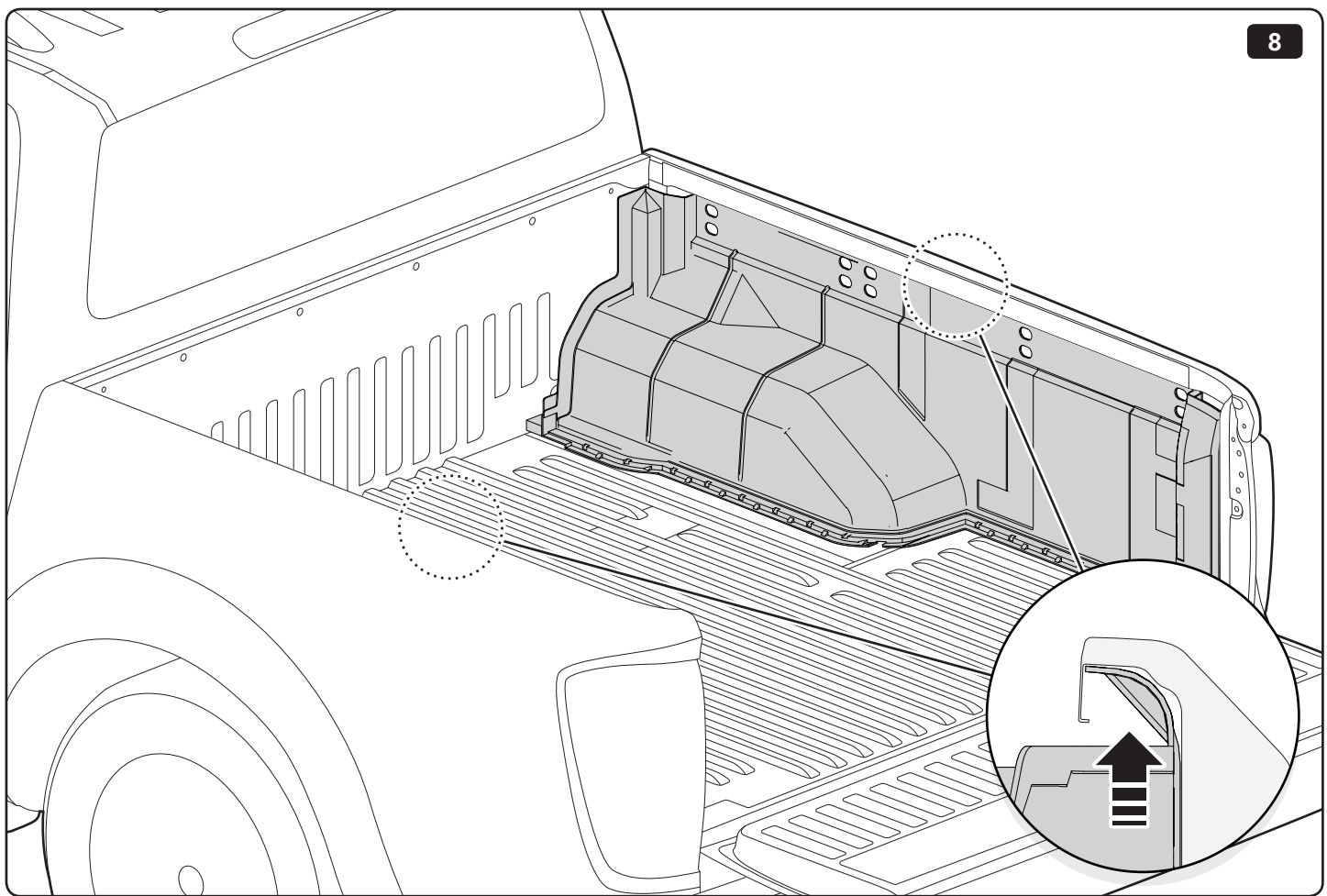




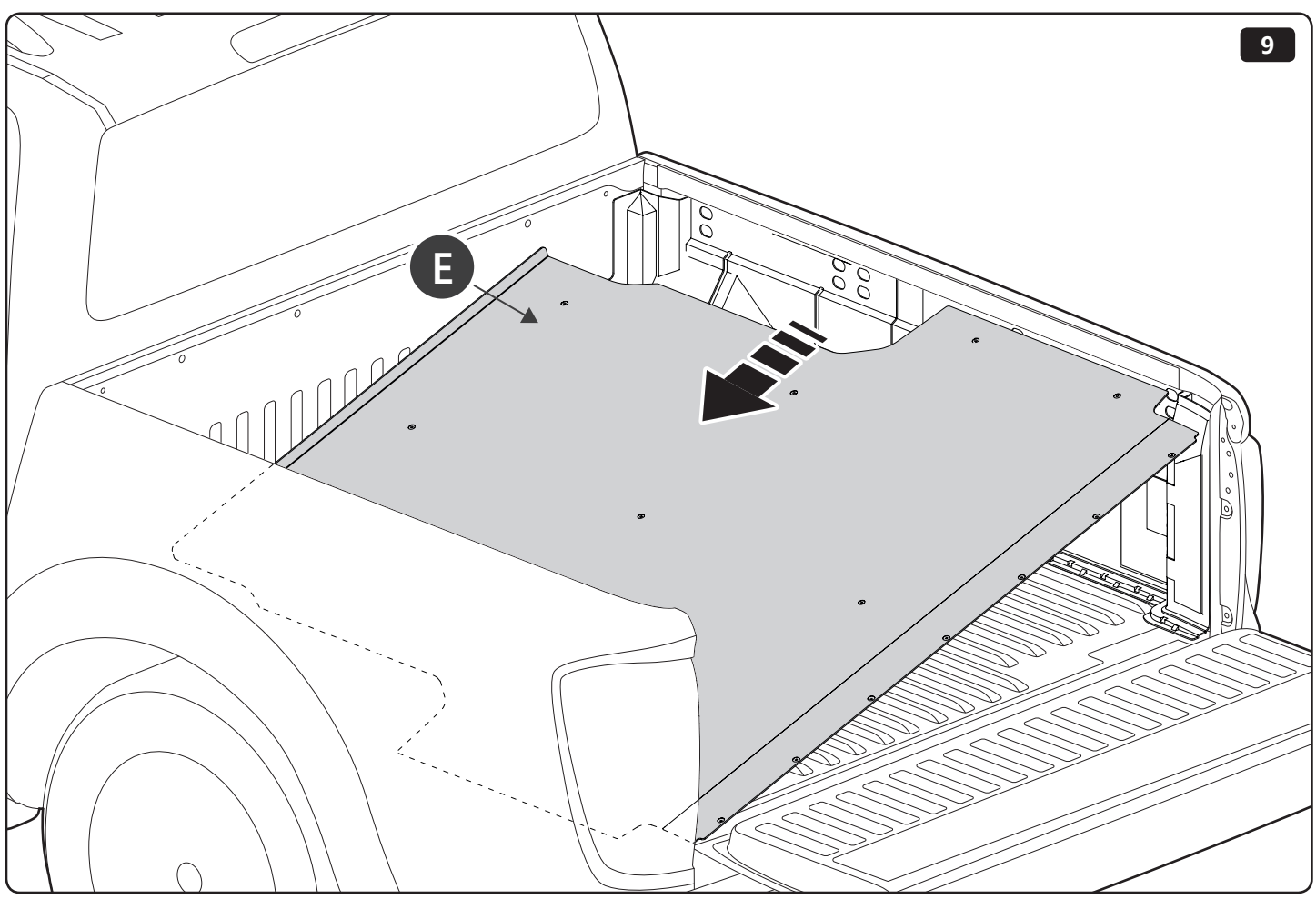


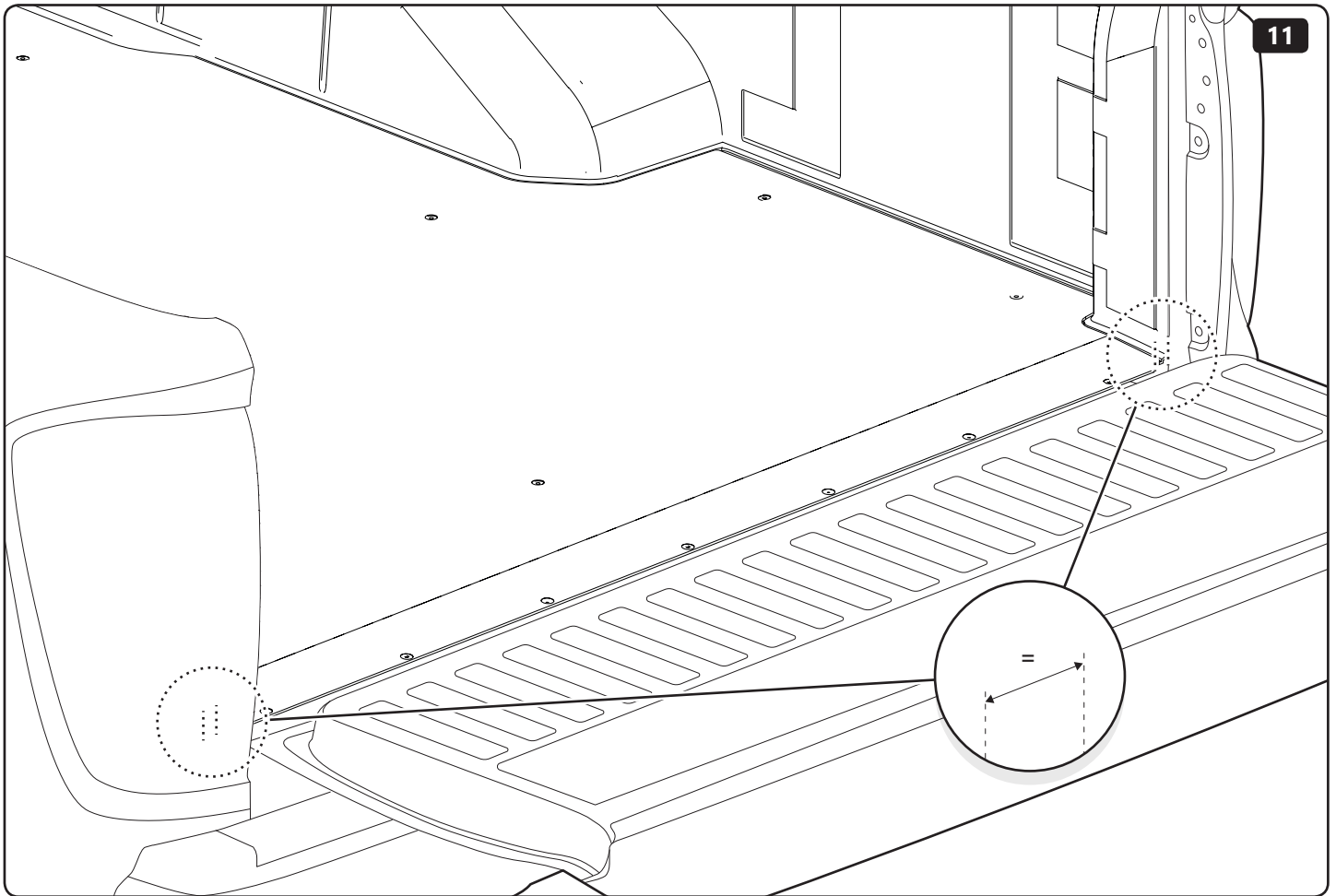
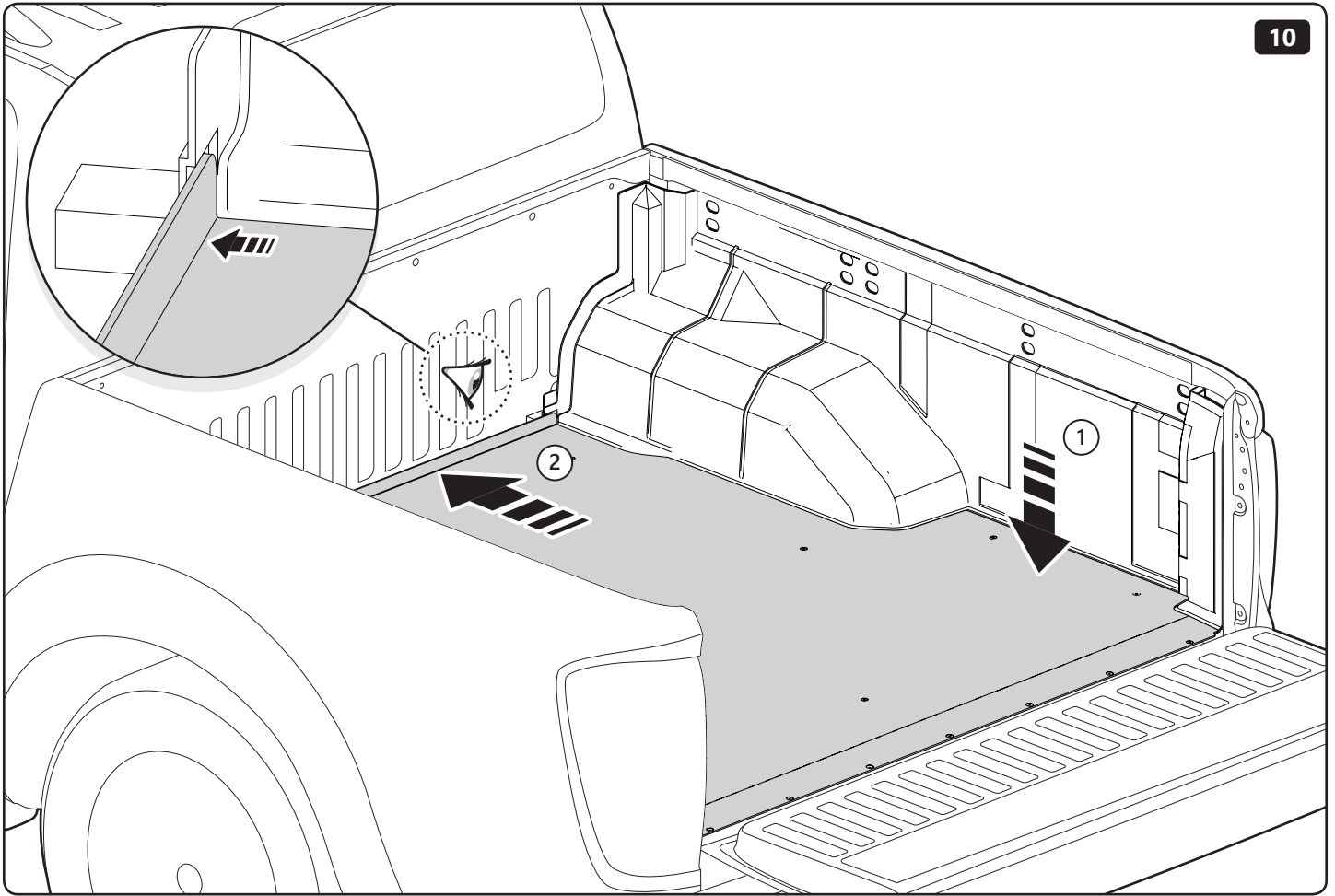


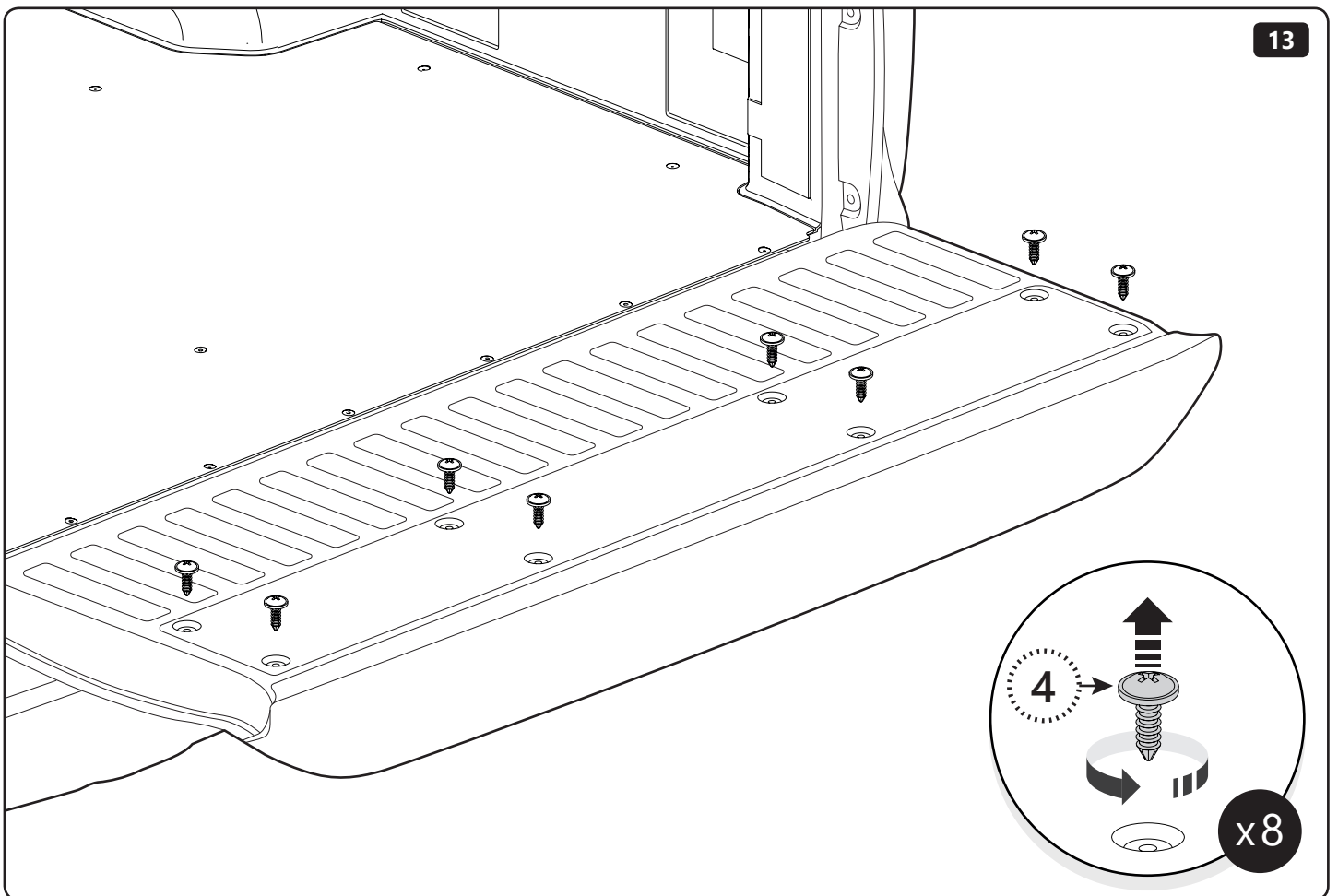
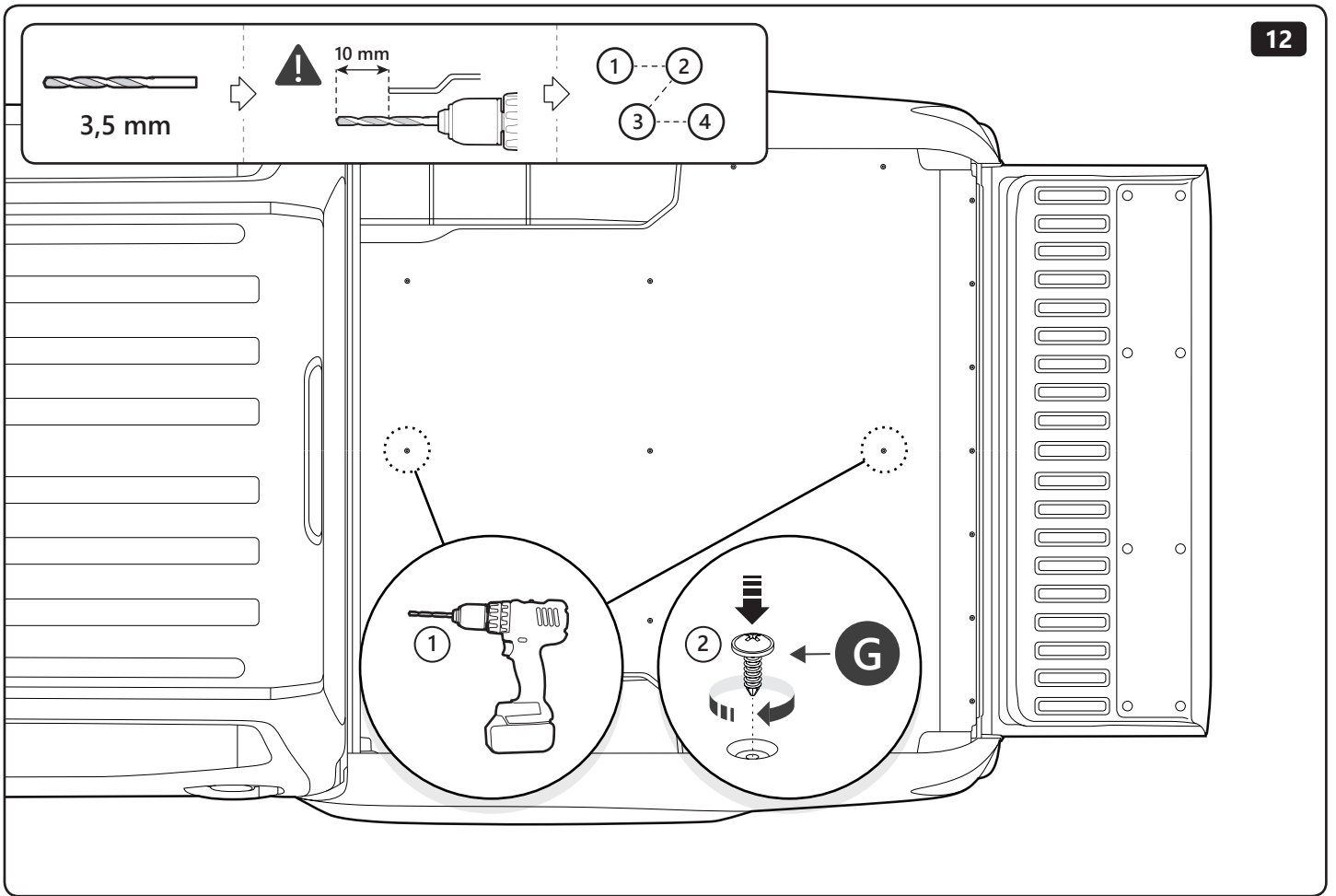
8

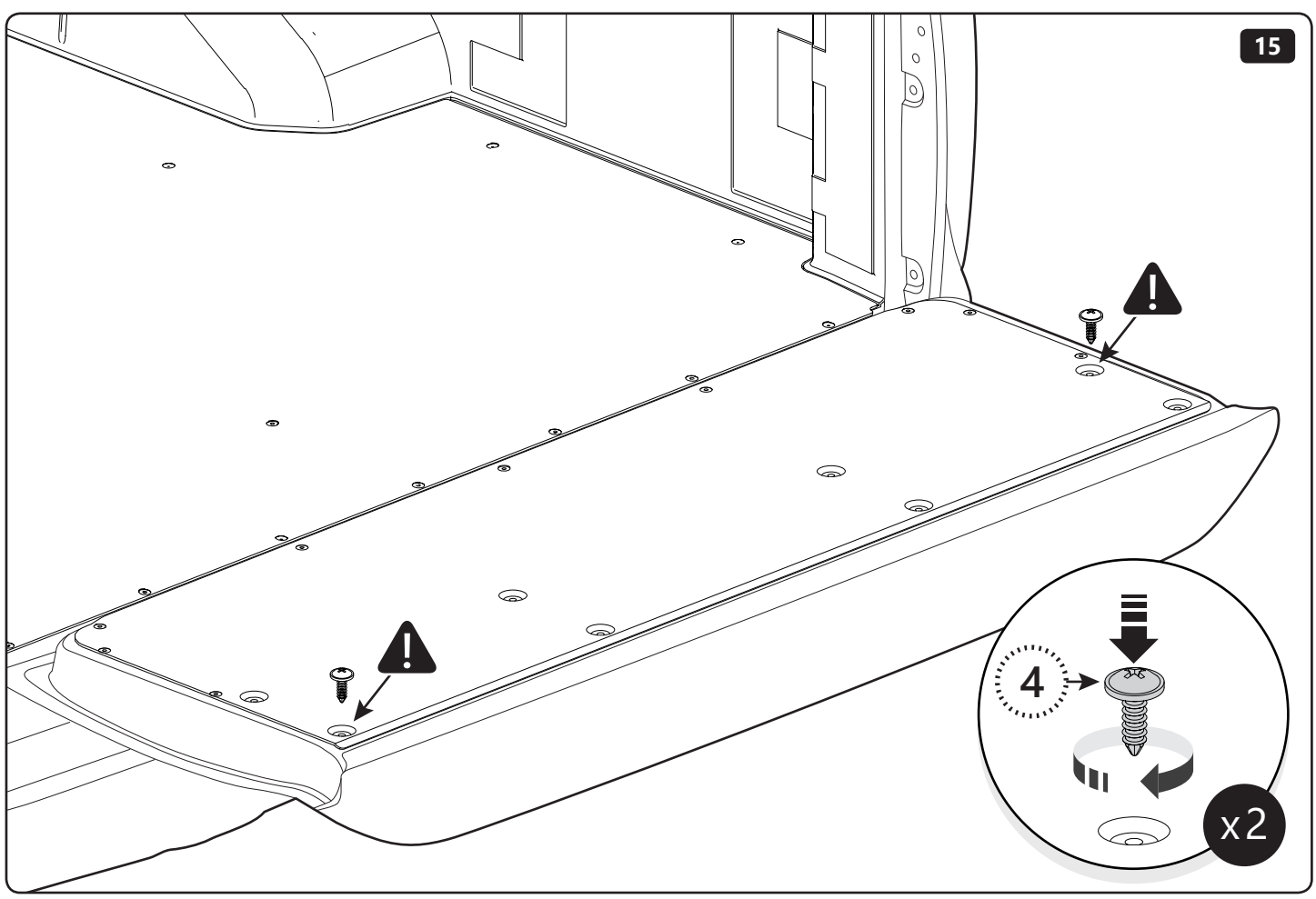
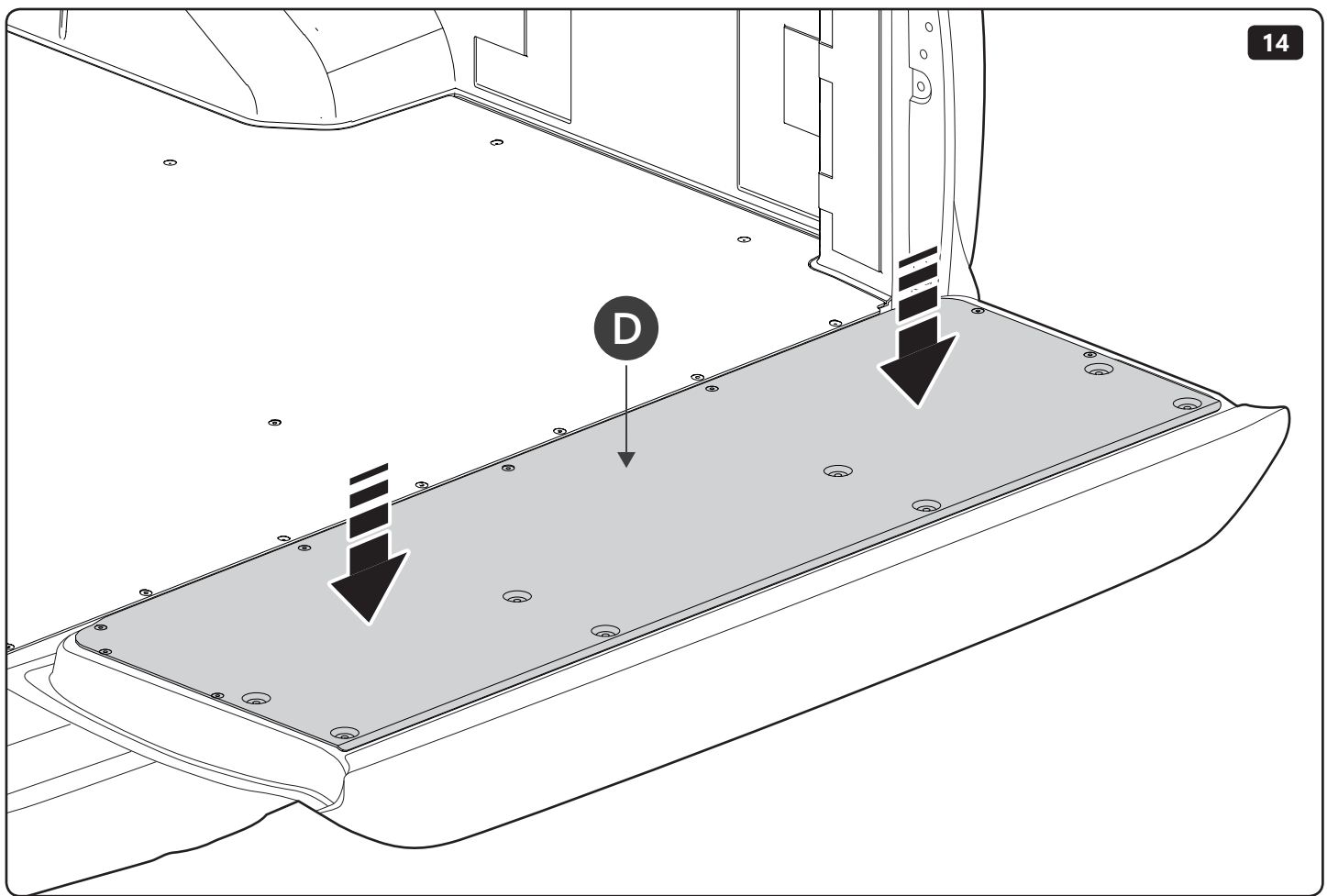


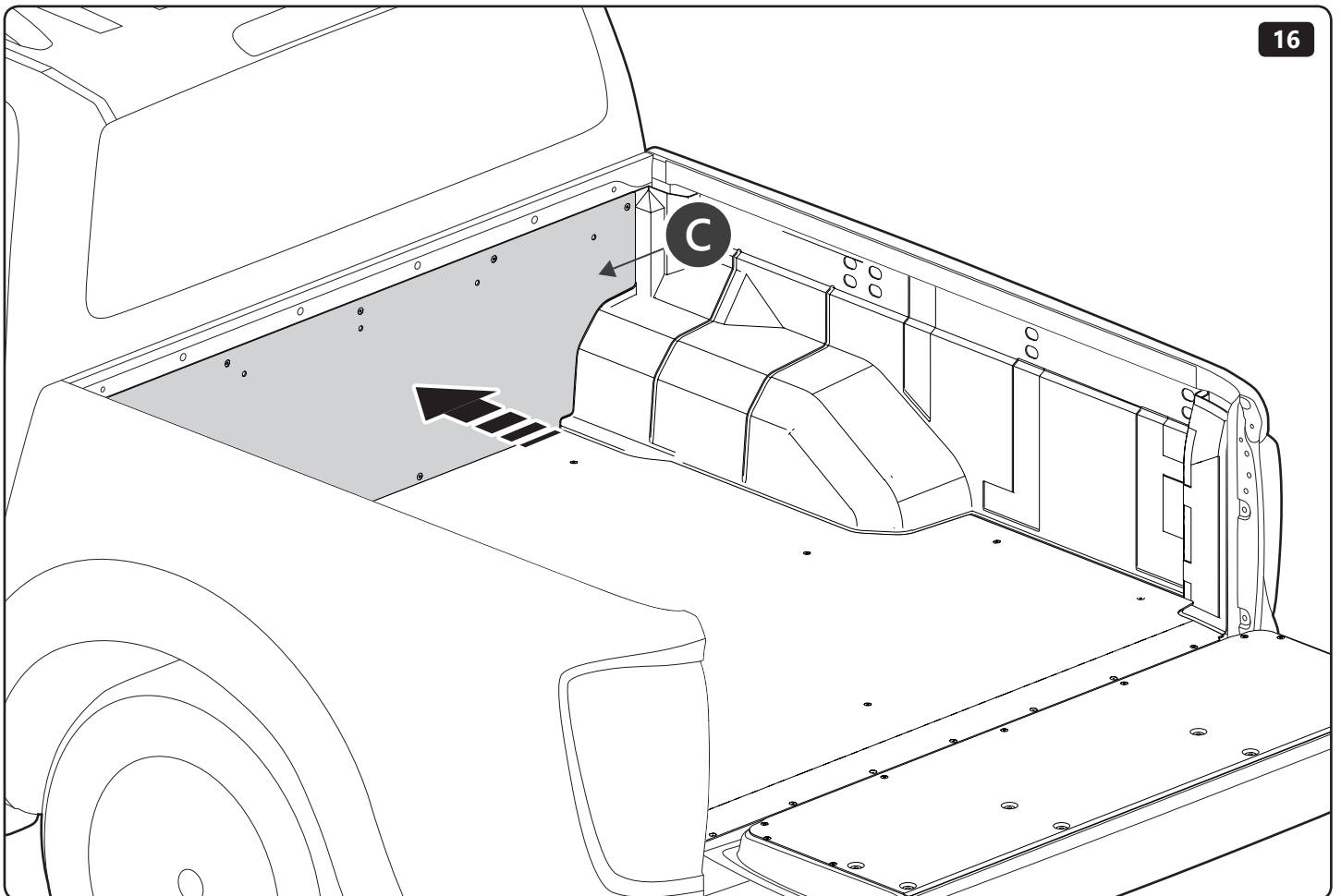
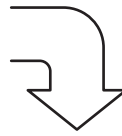
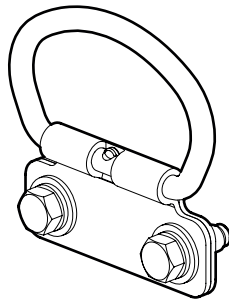
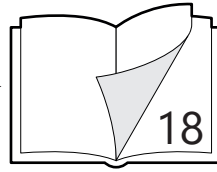
9

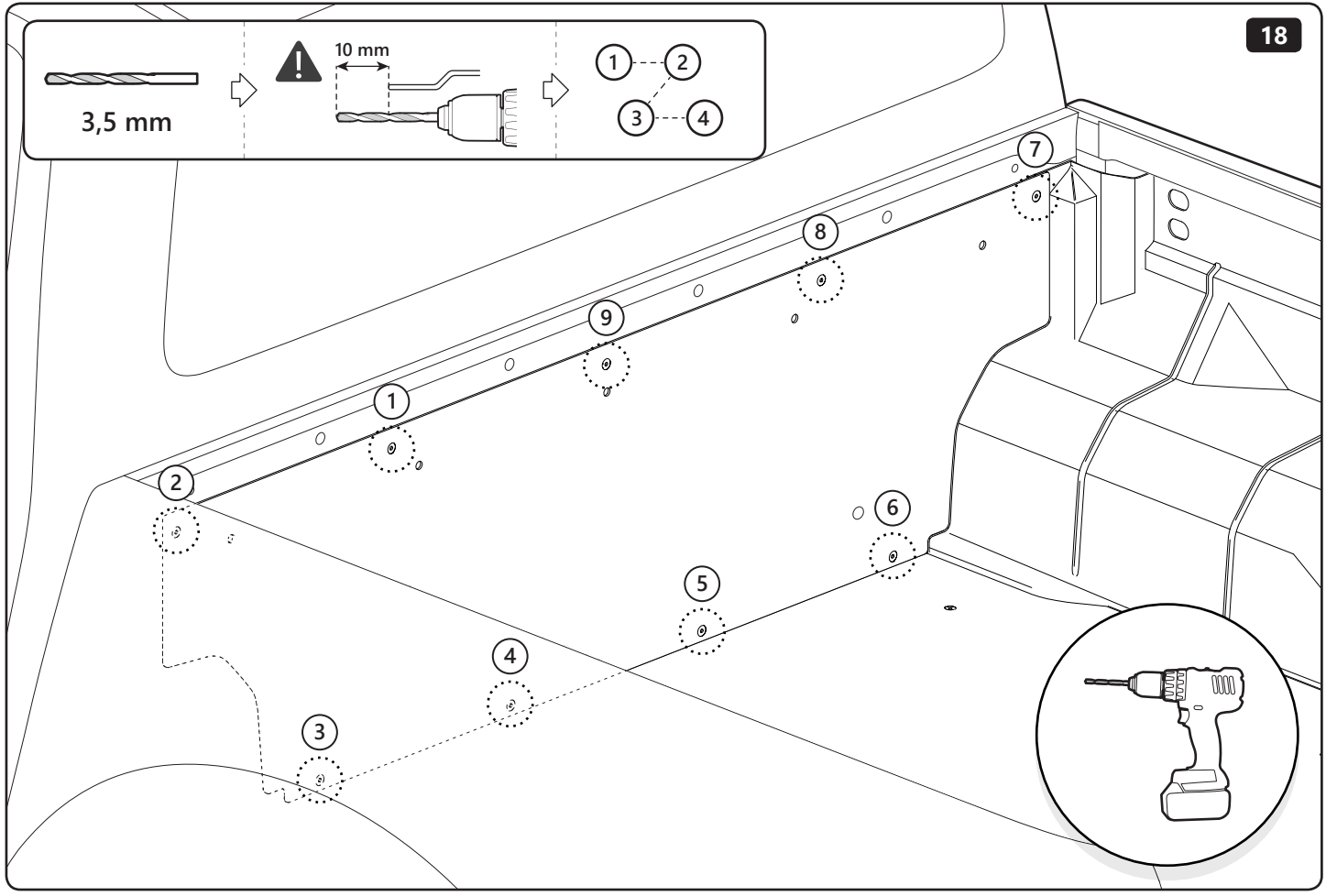
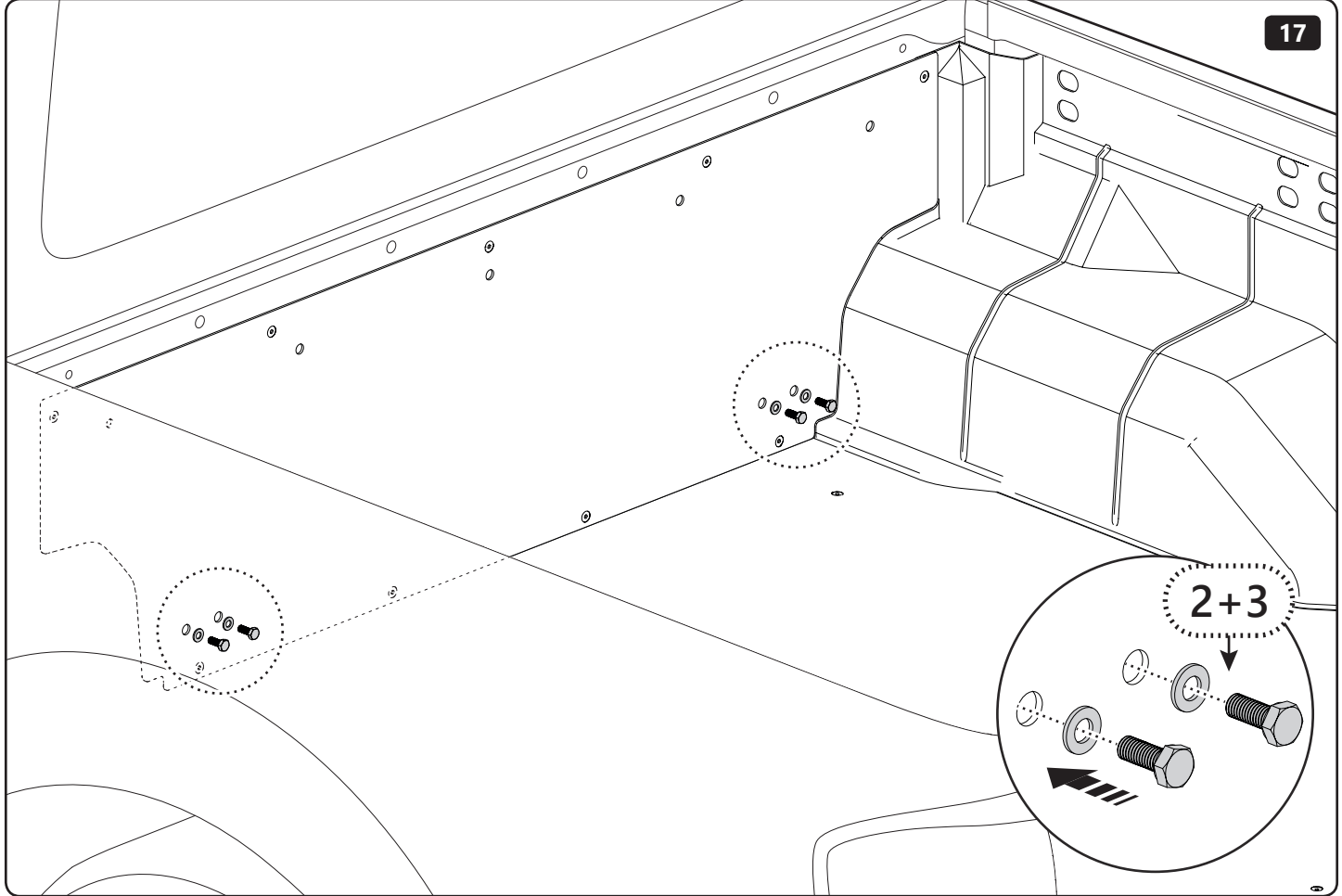


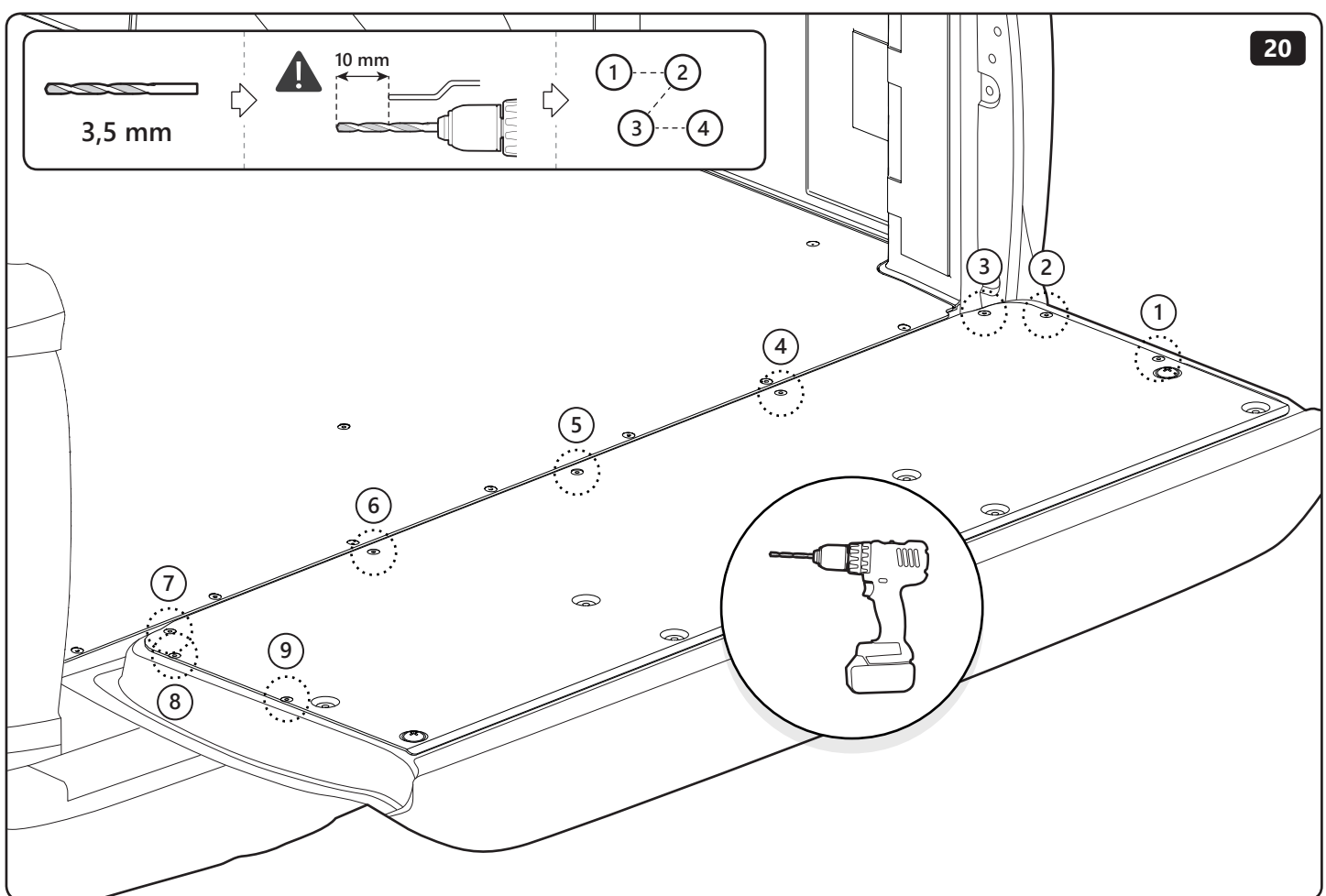
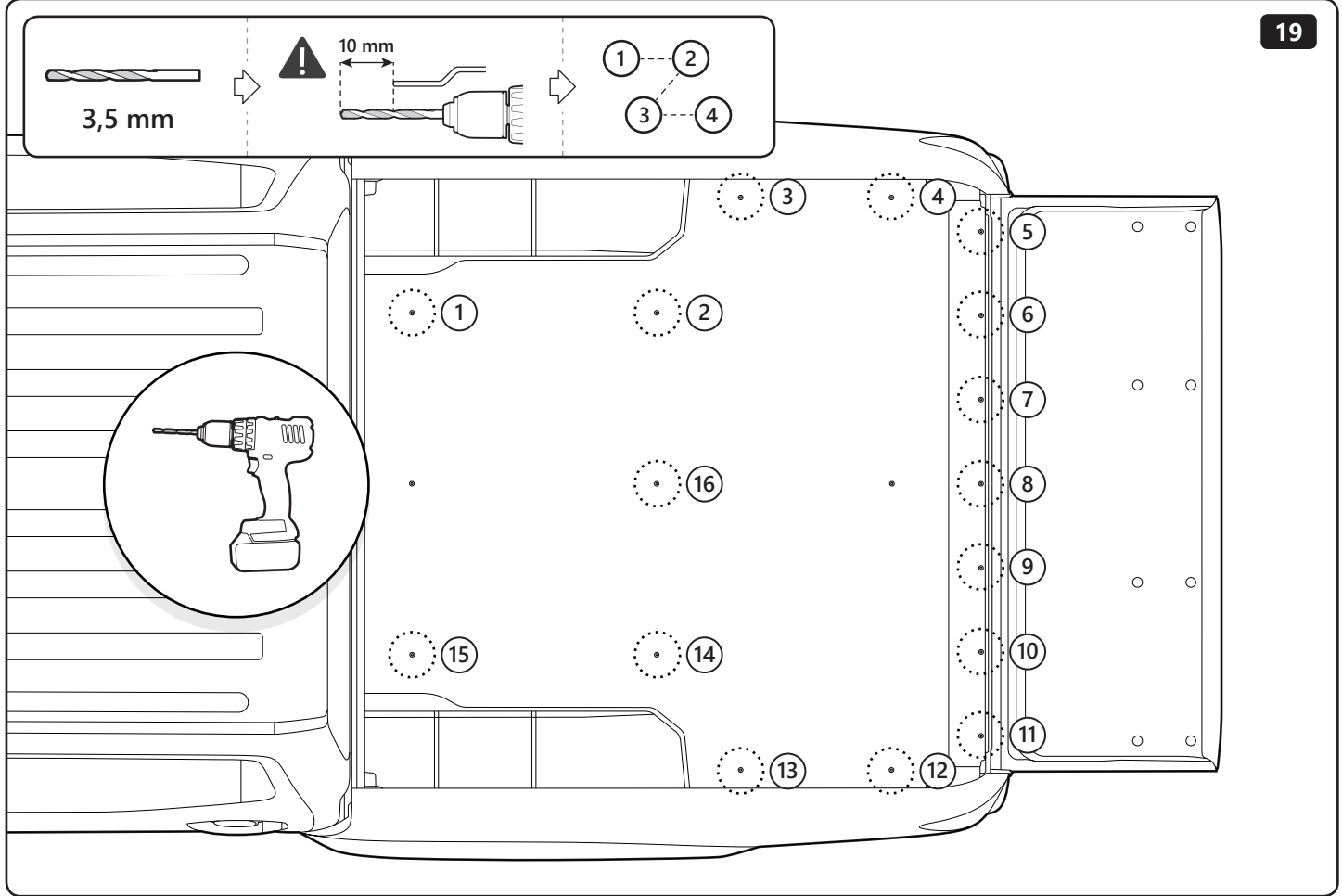


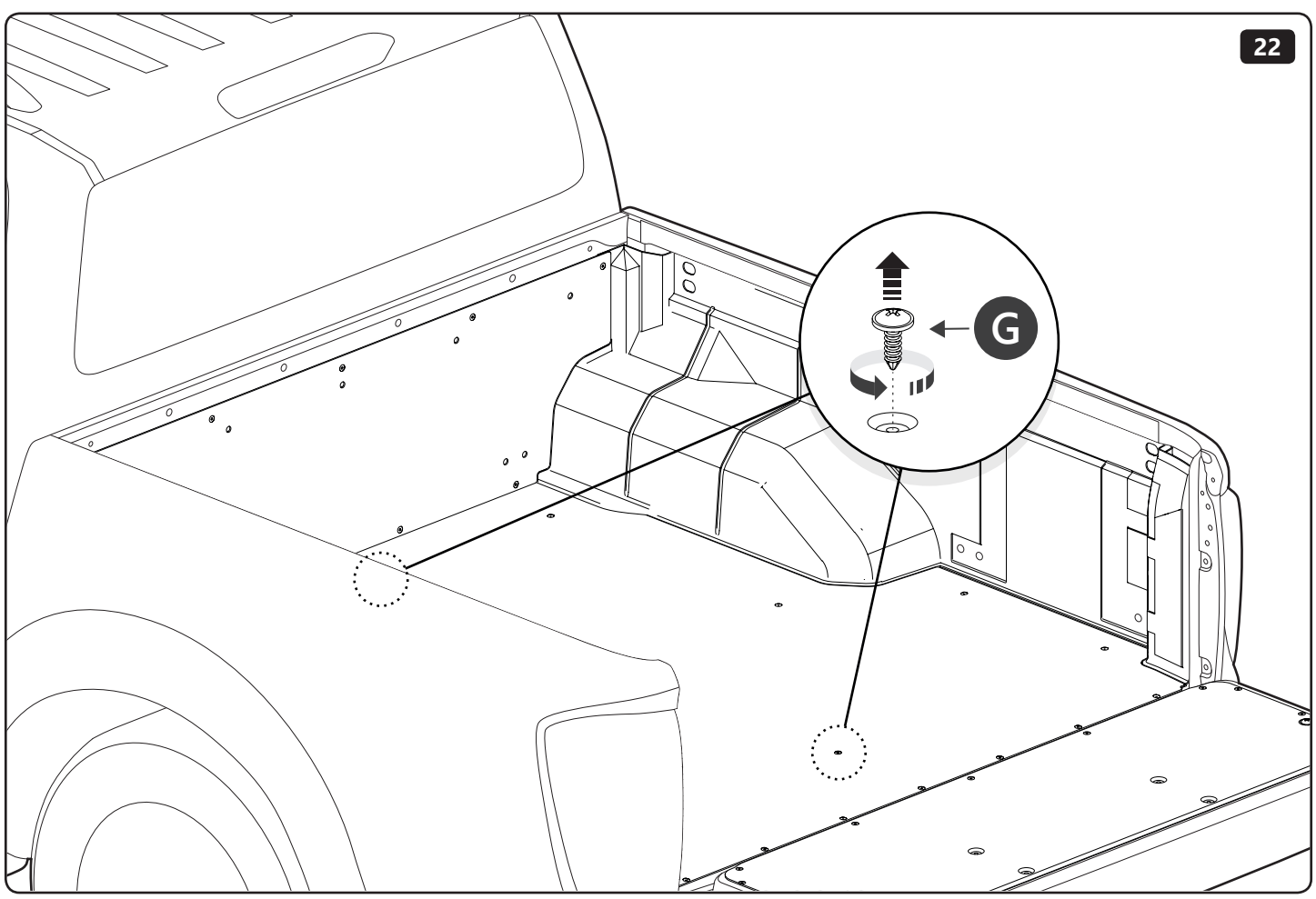
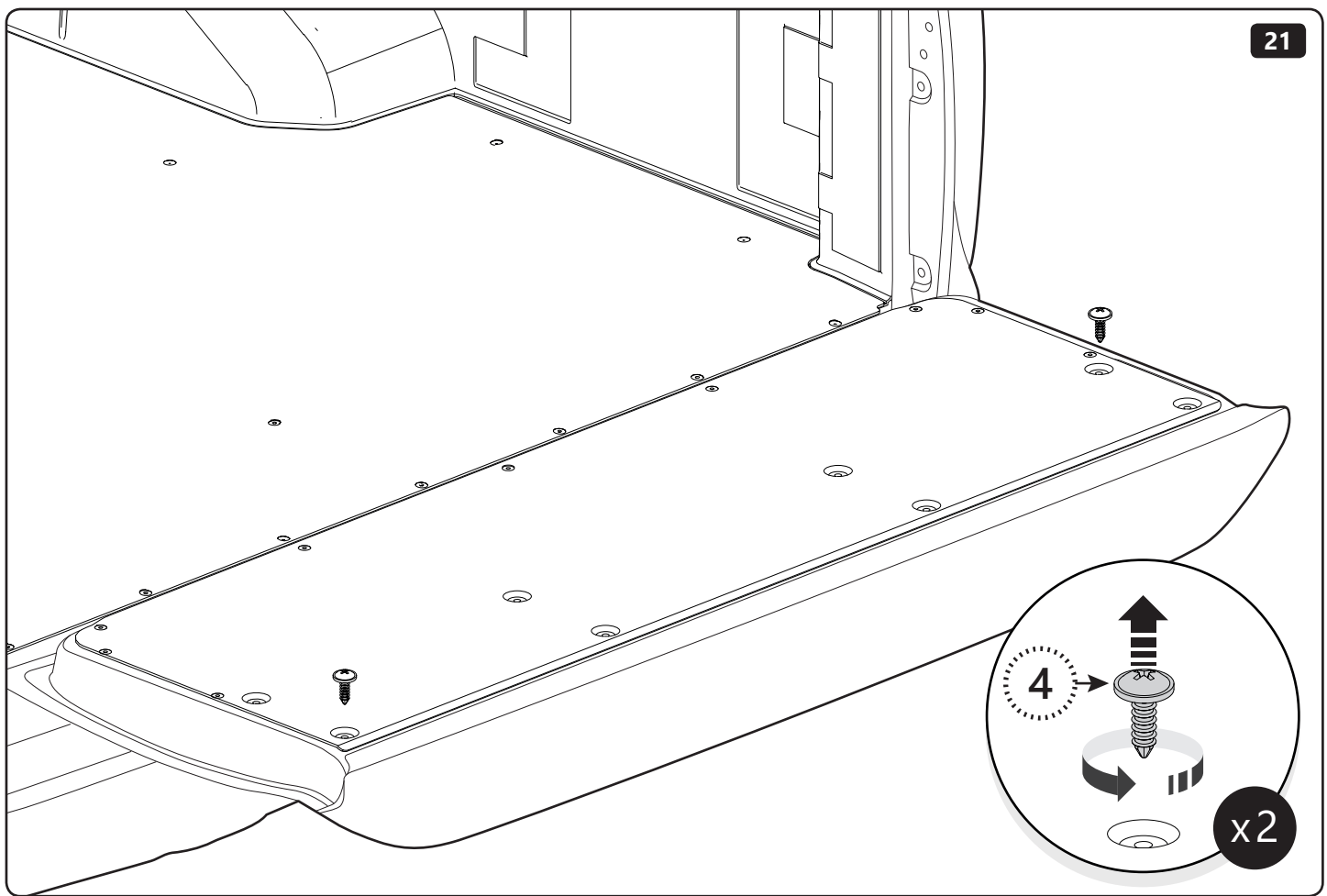


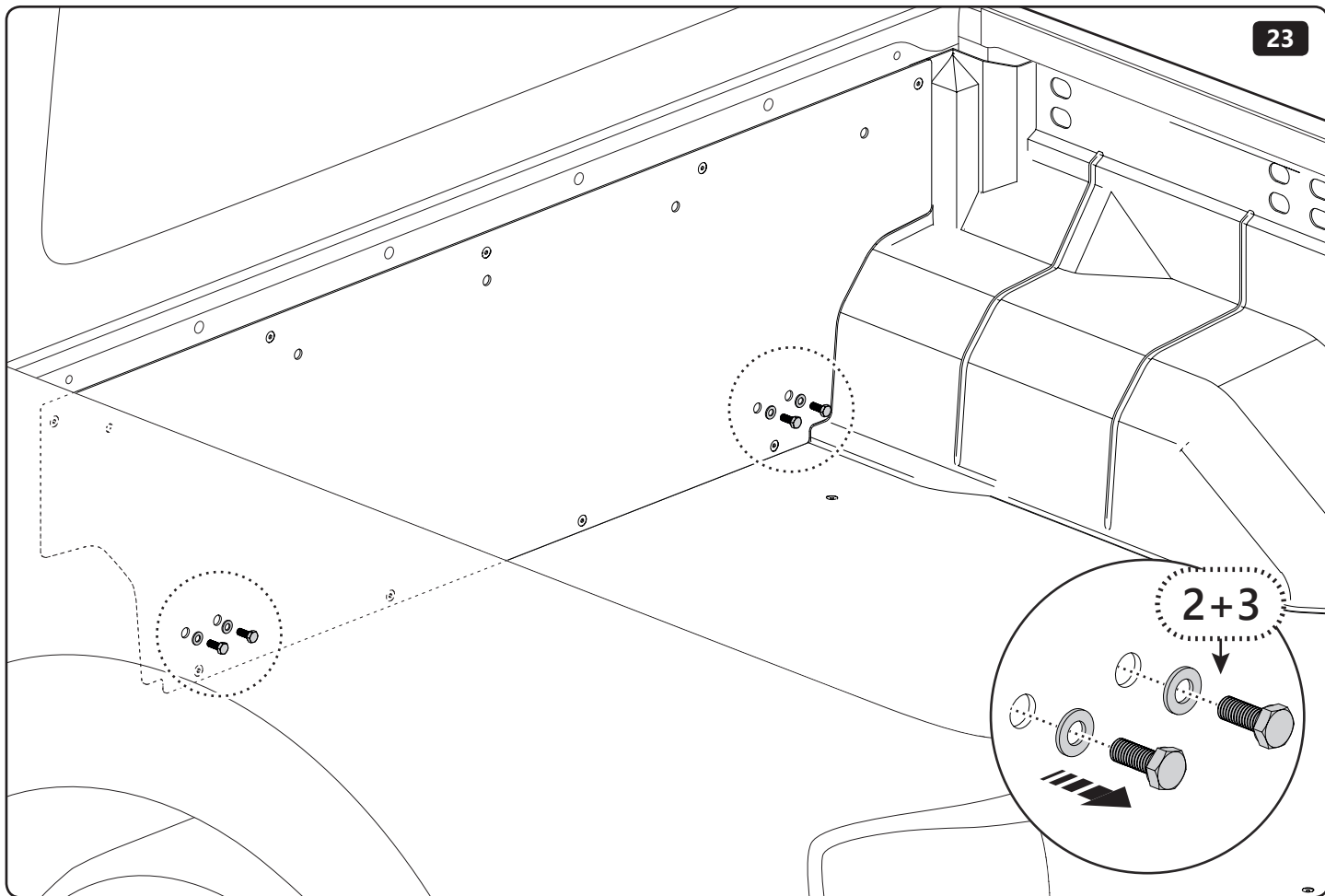


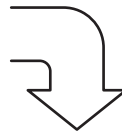
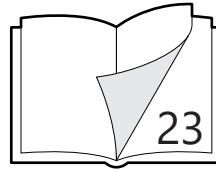
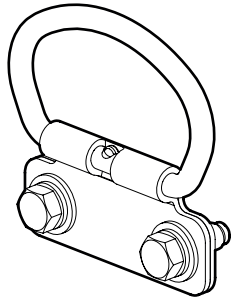




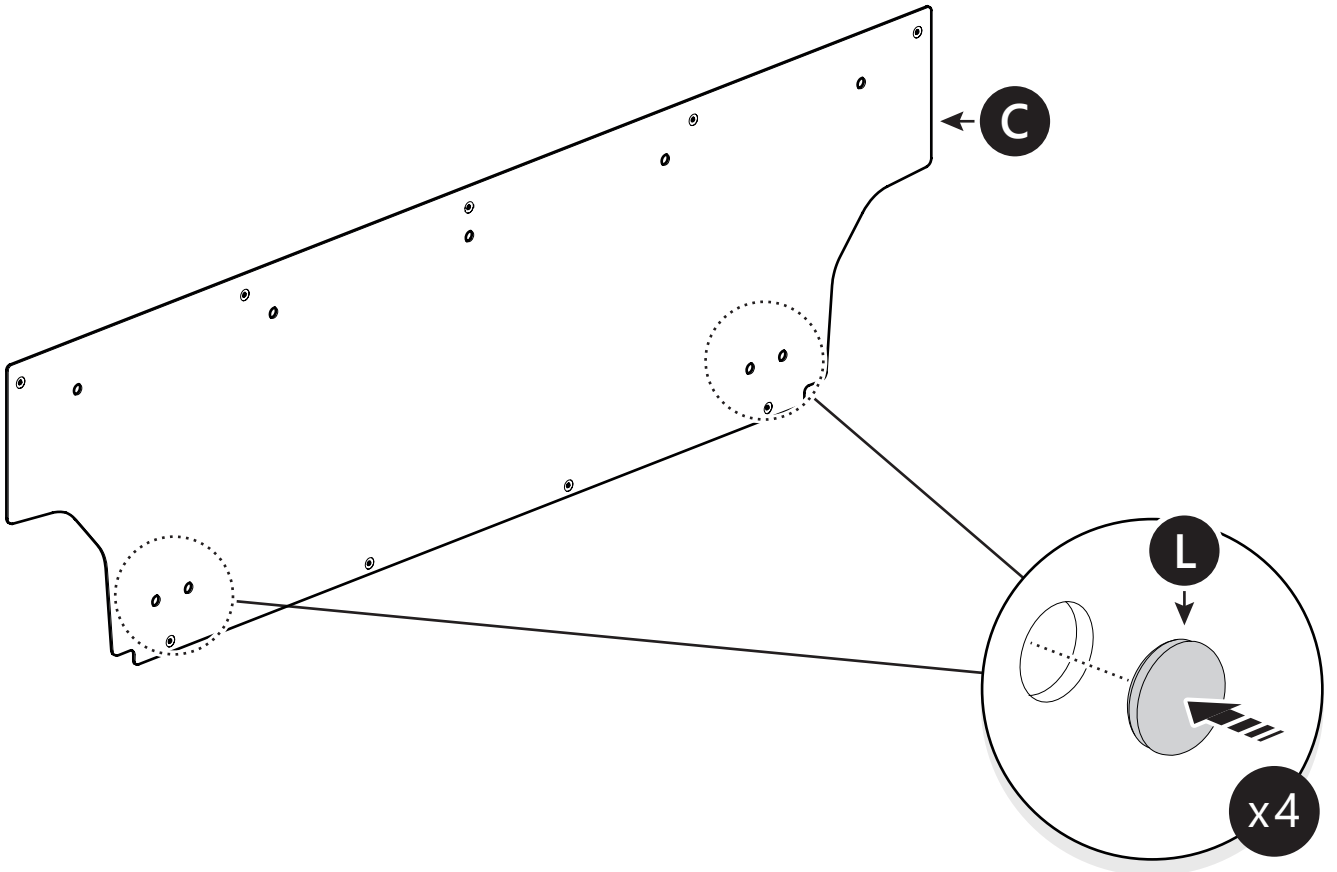


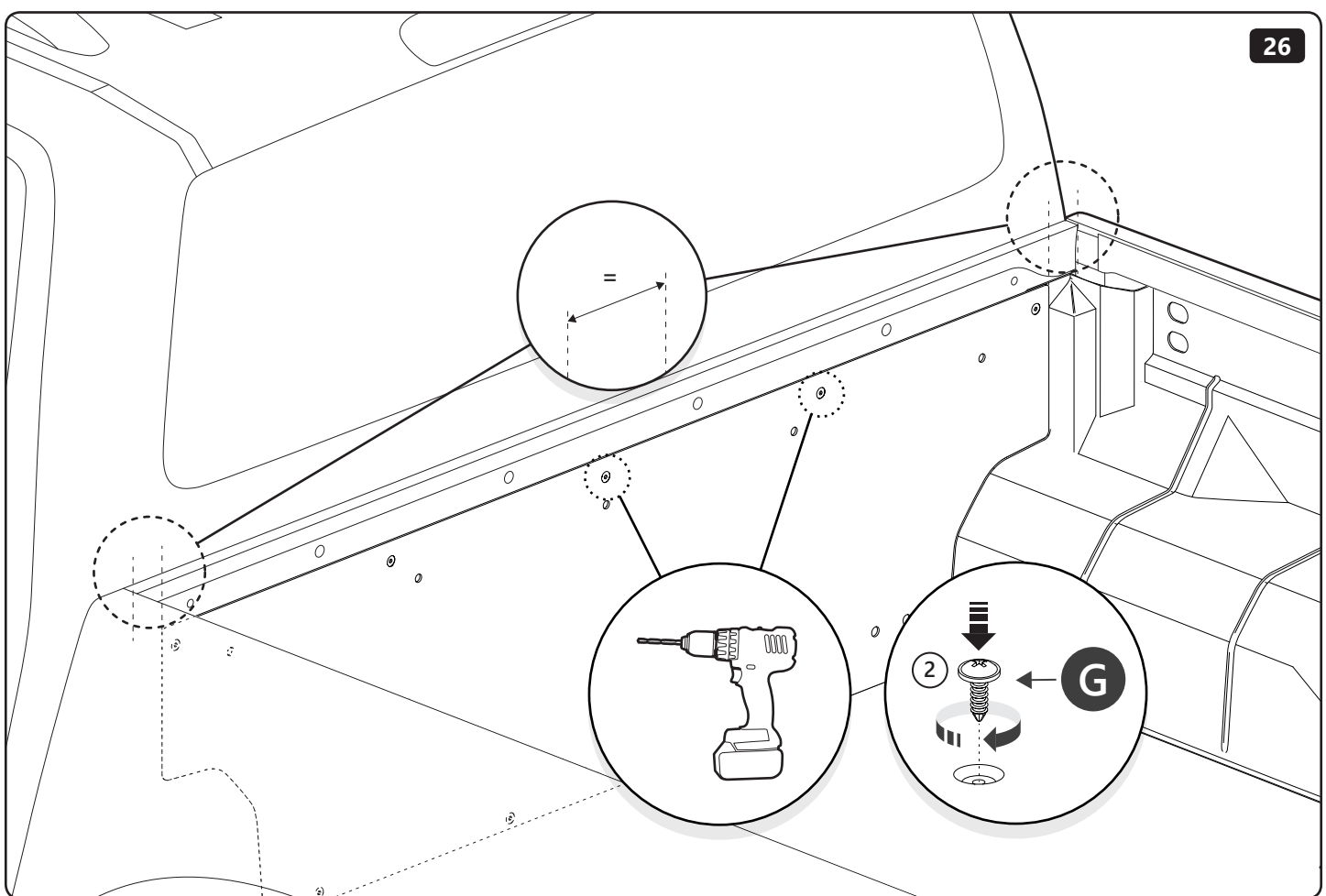
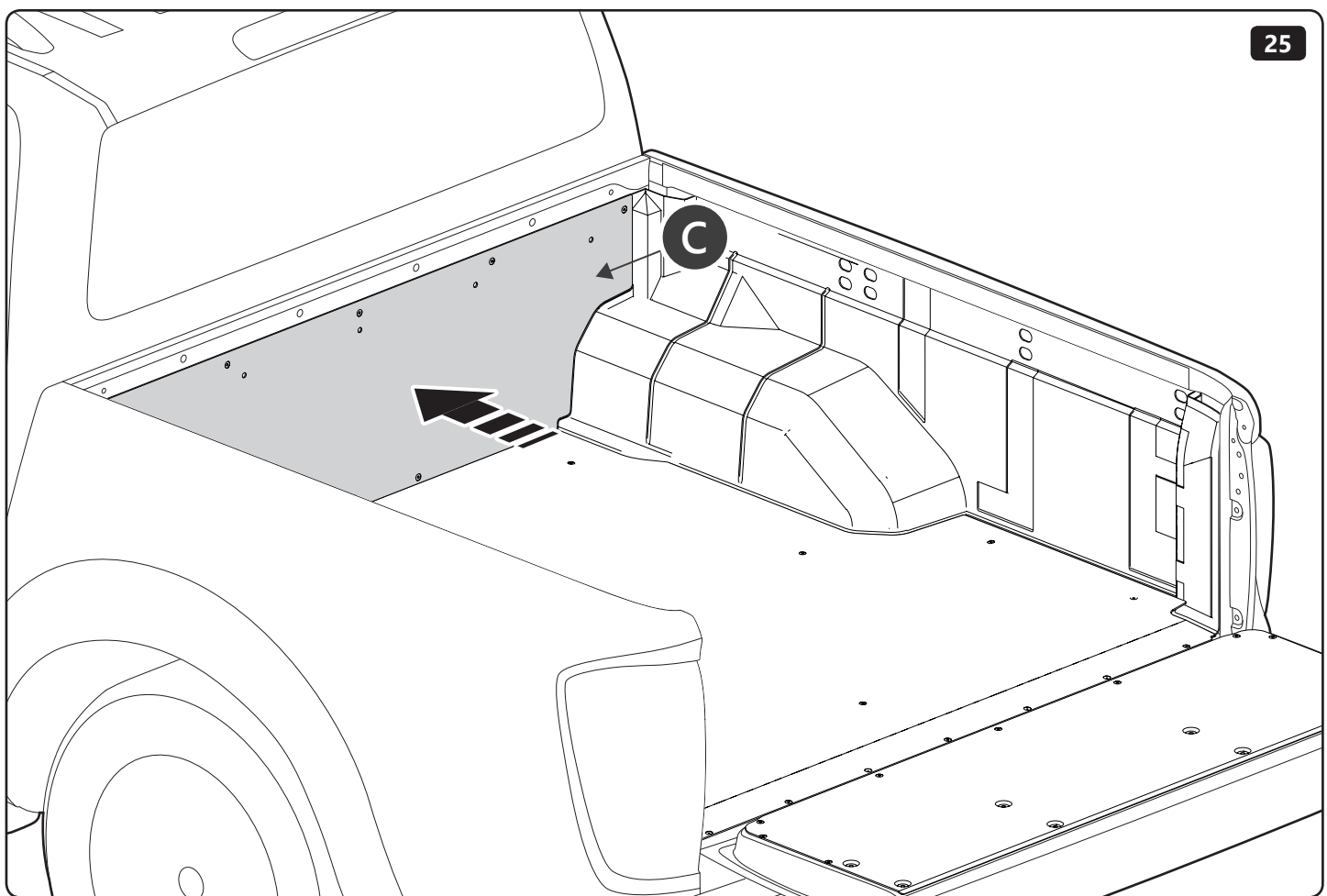


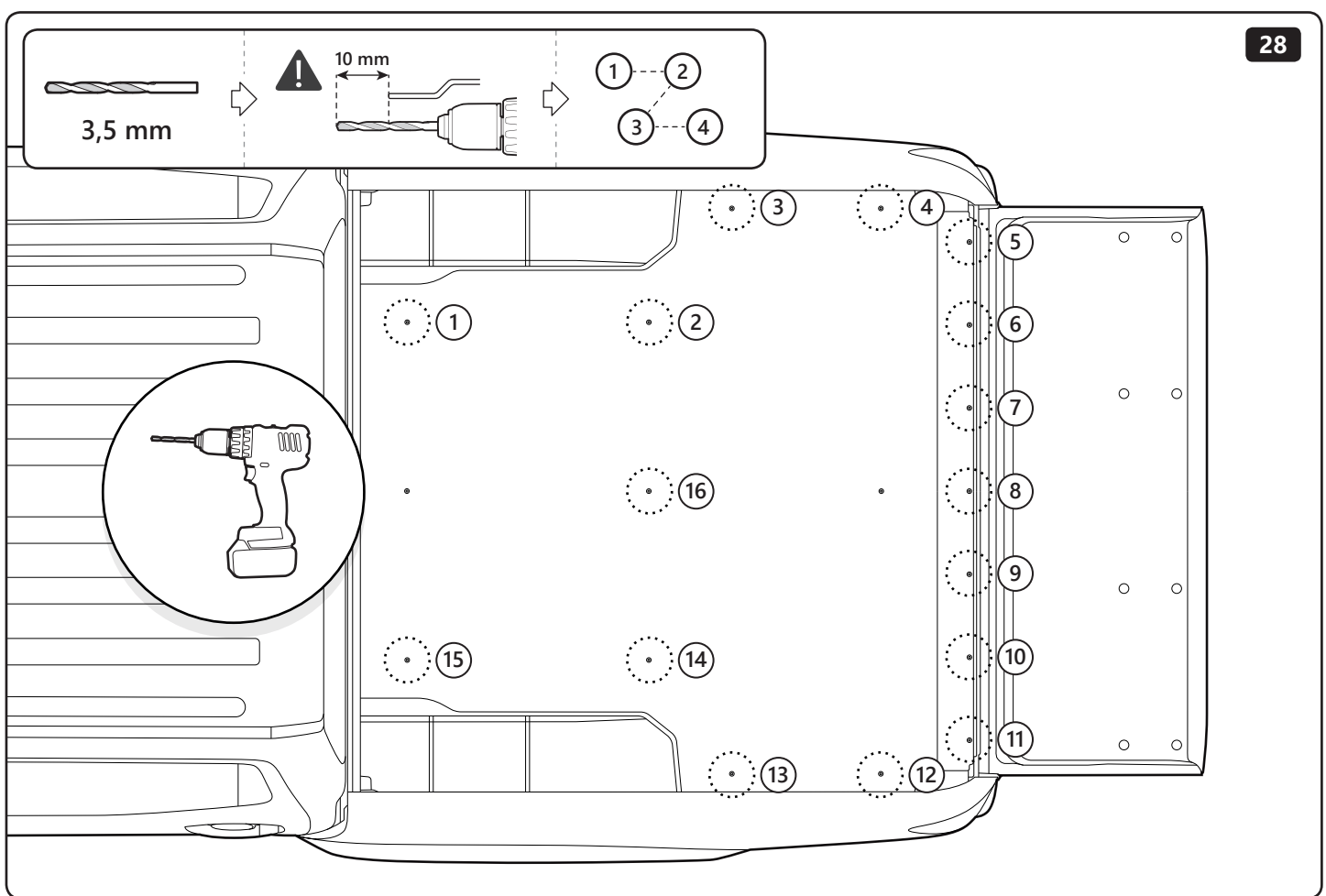
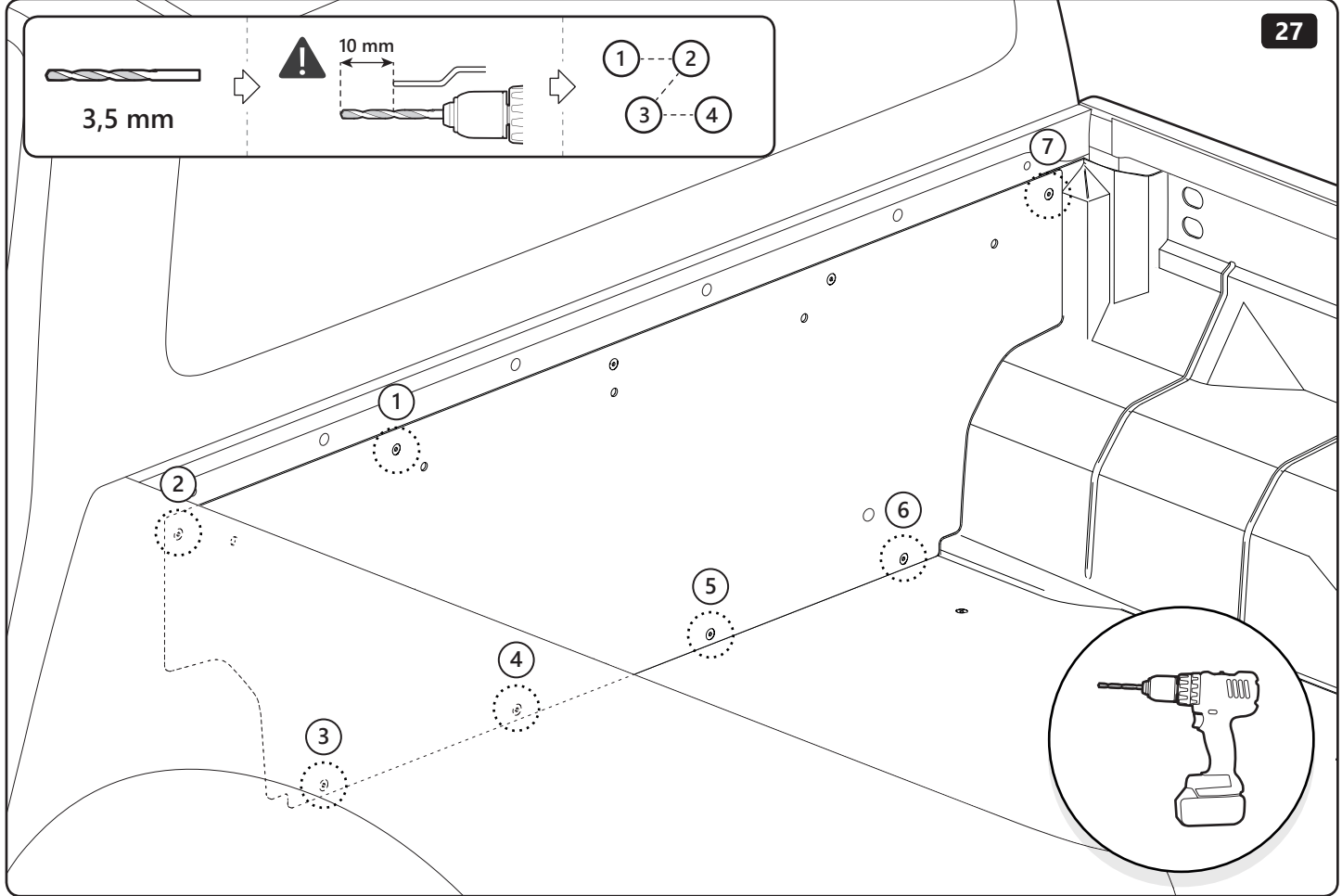


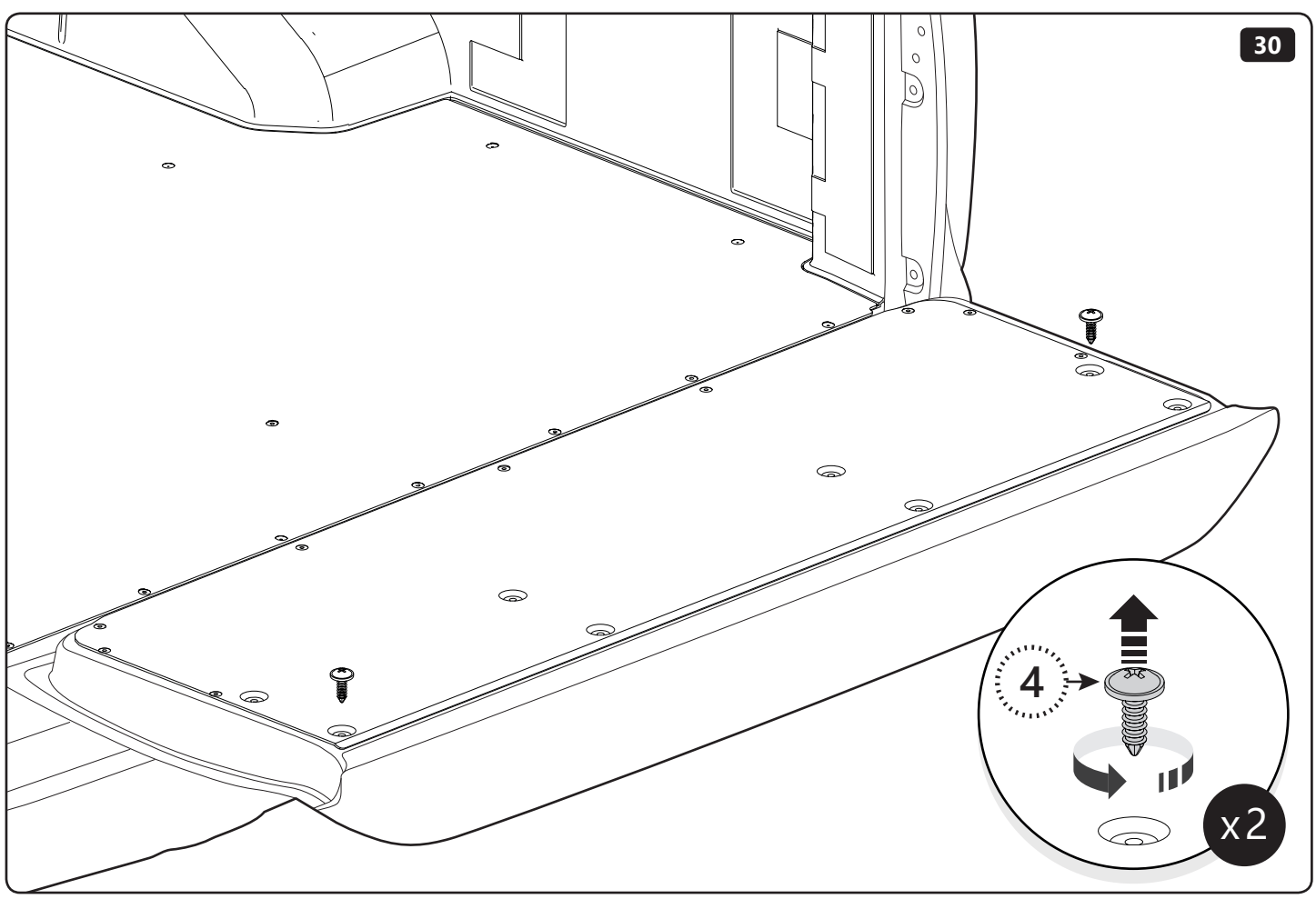
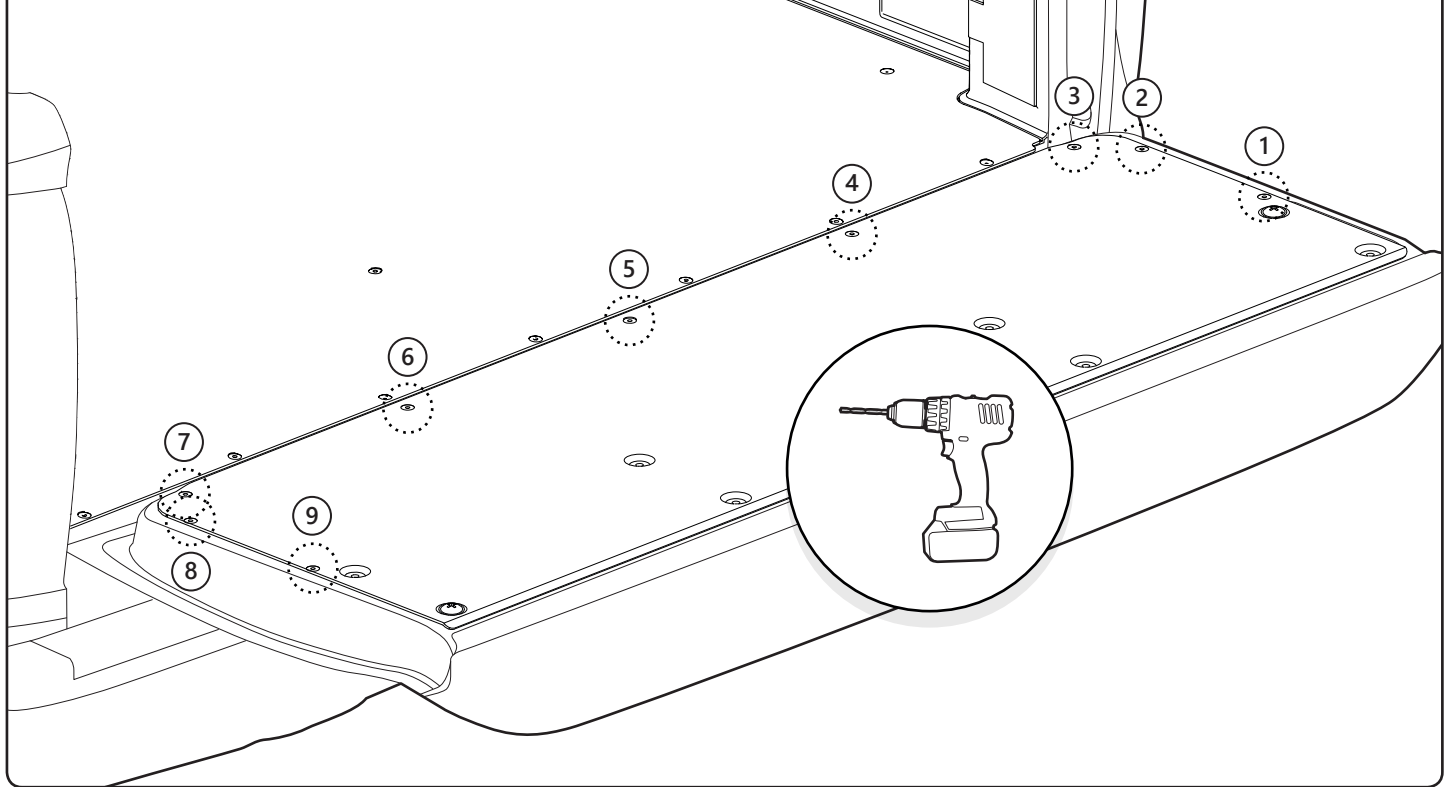
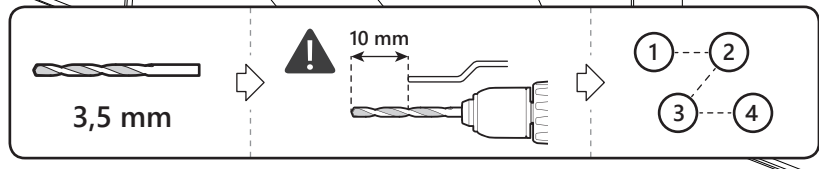


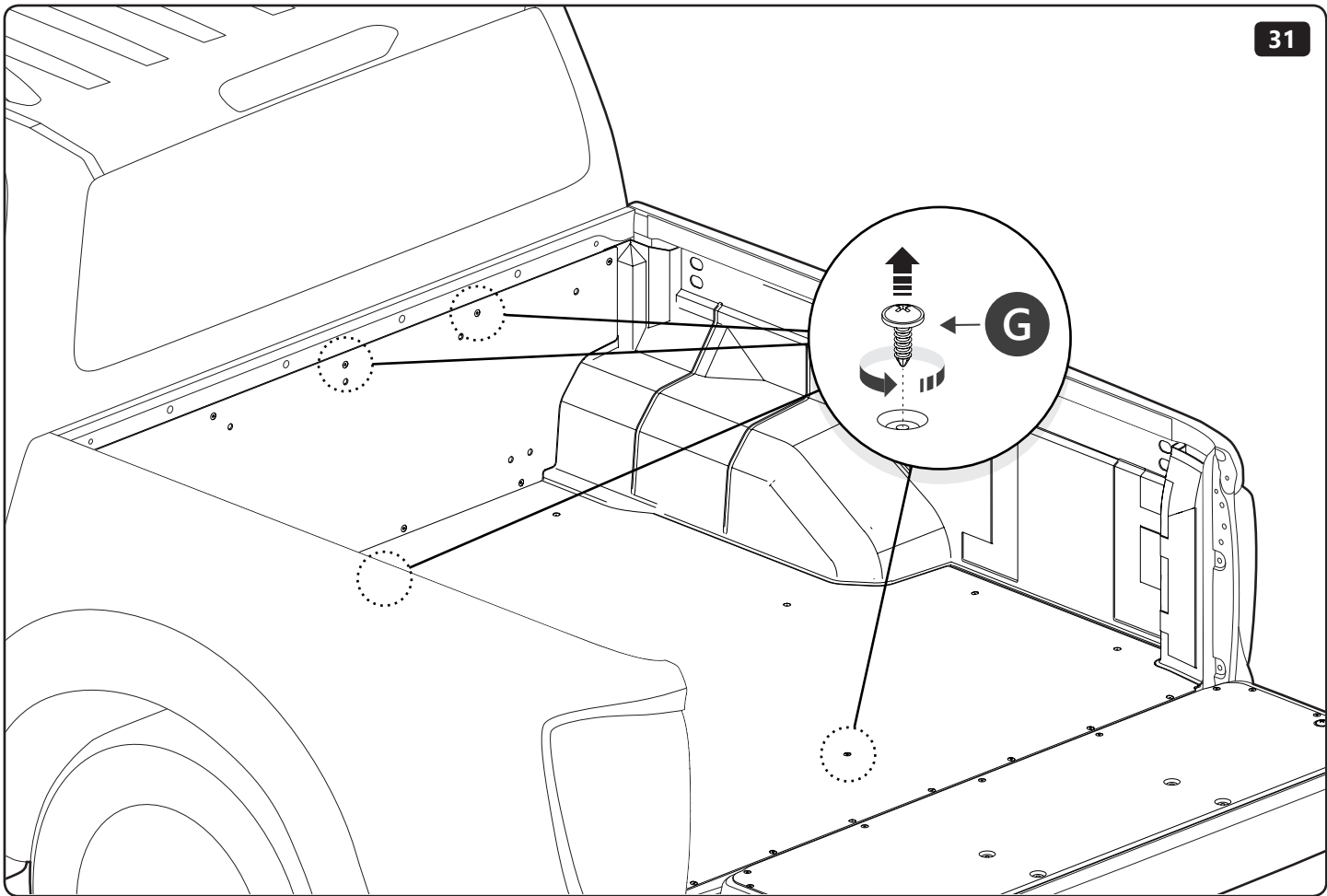
24

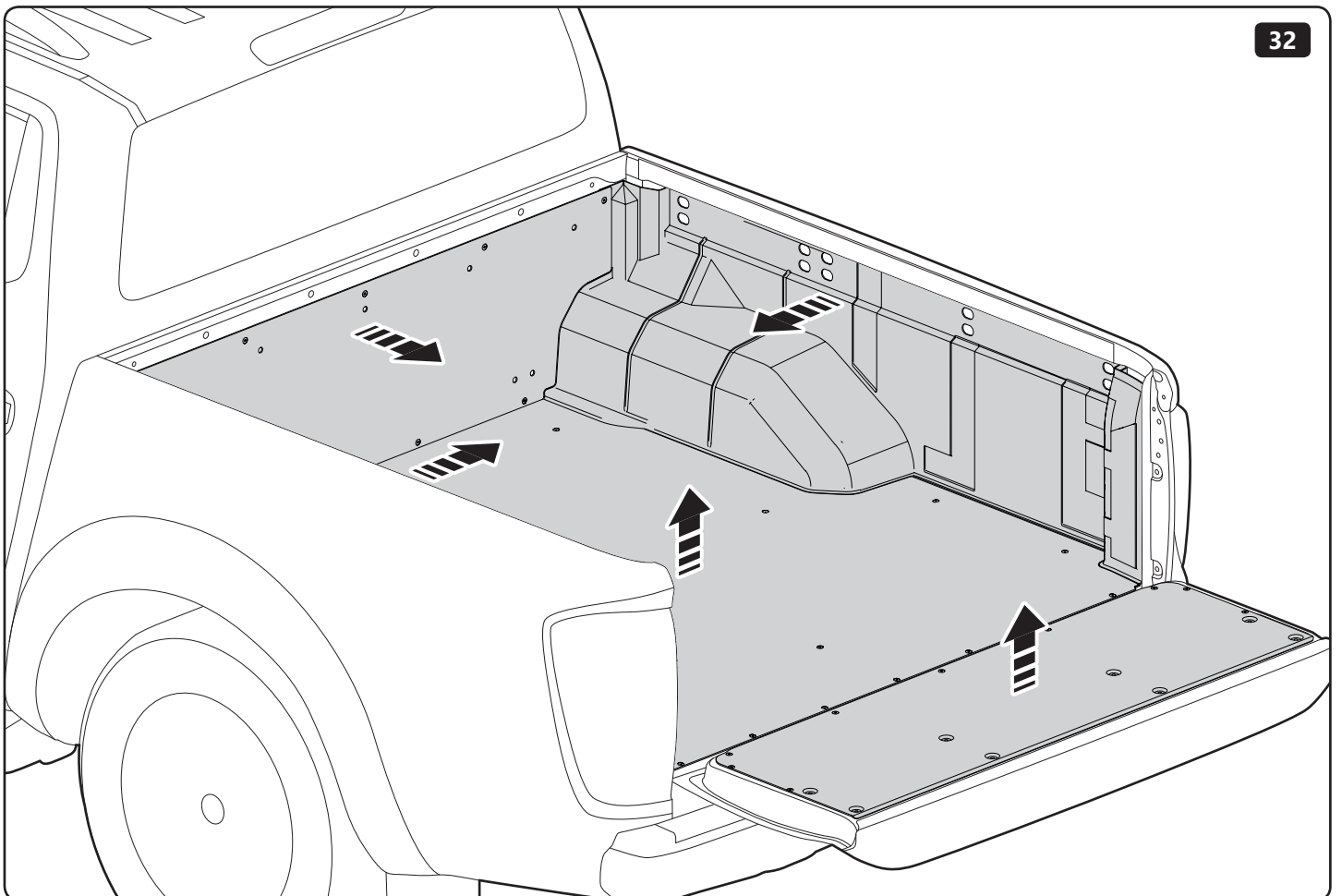
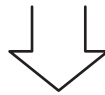
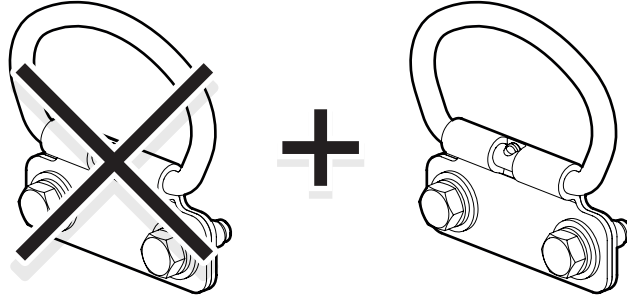


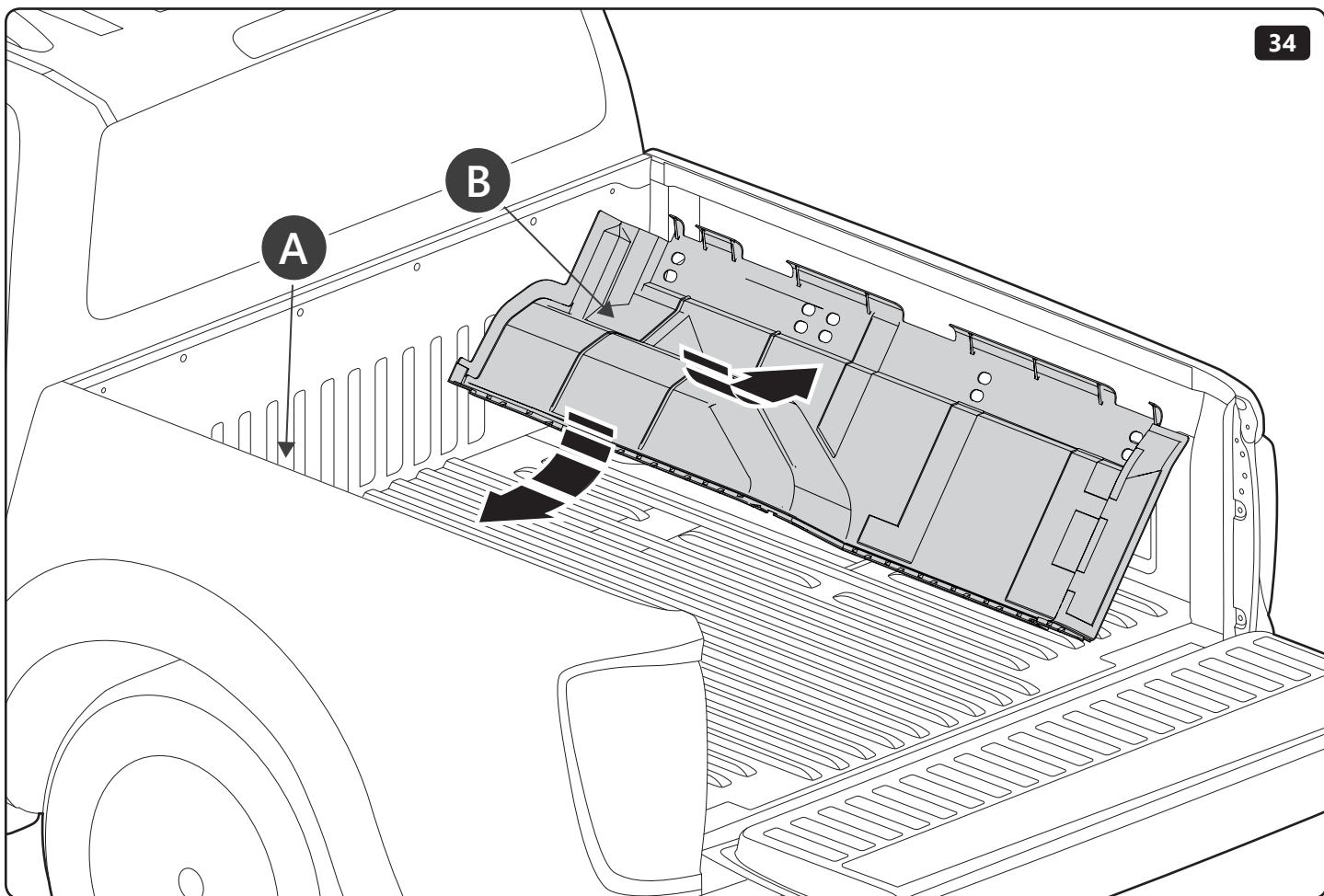
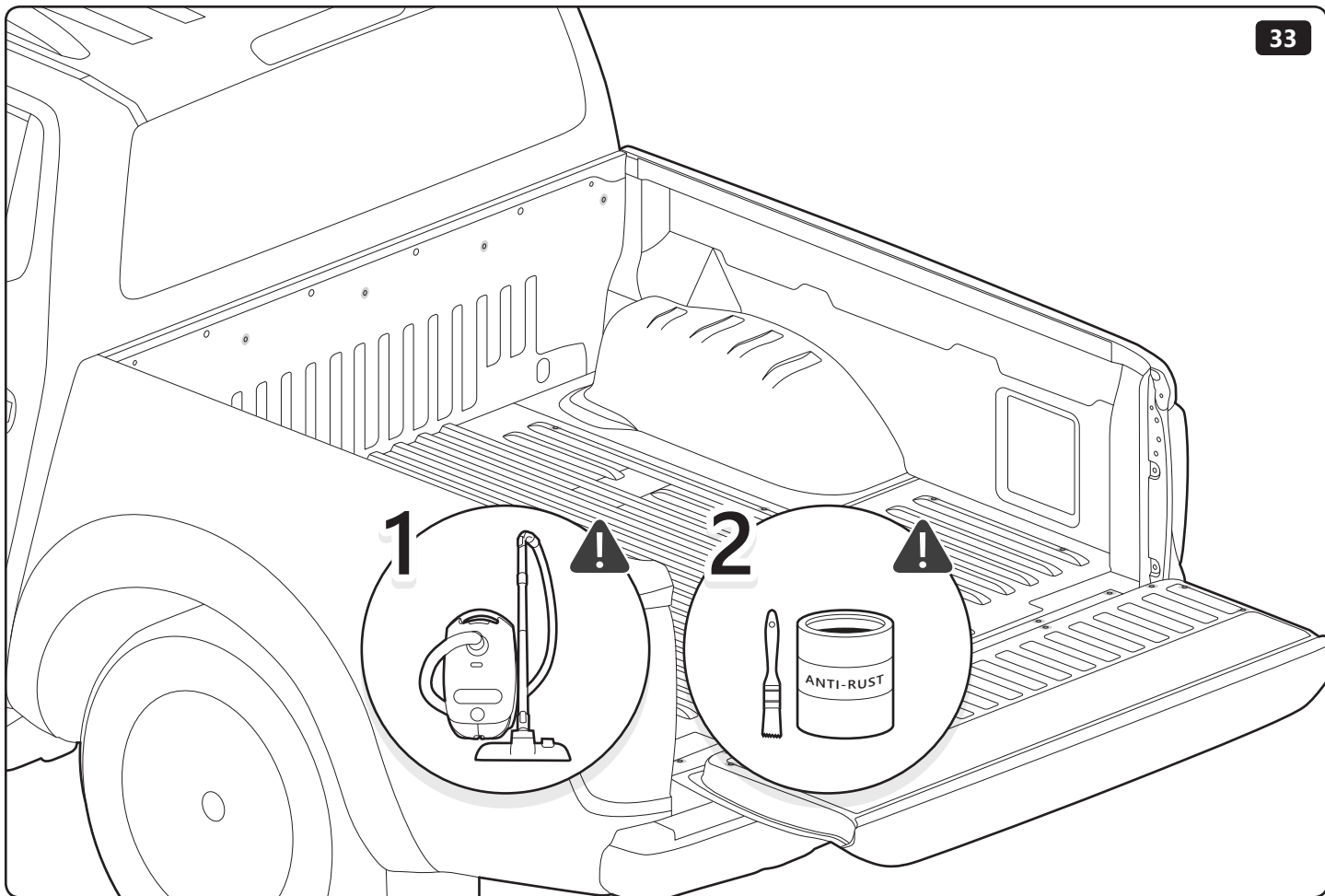


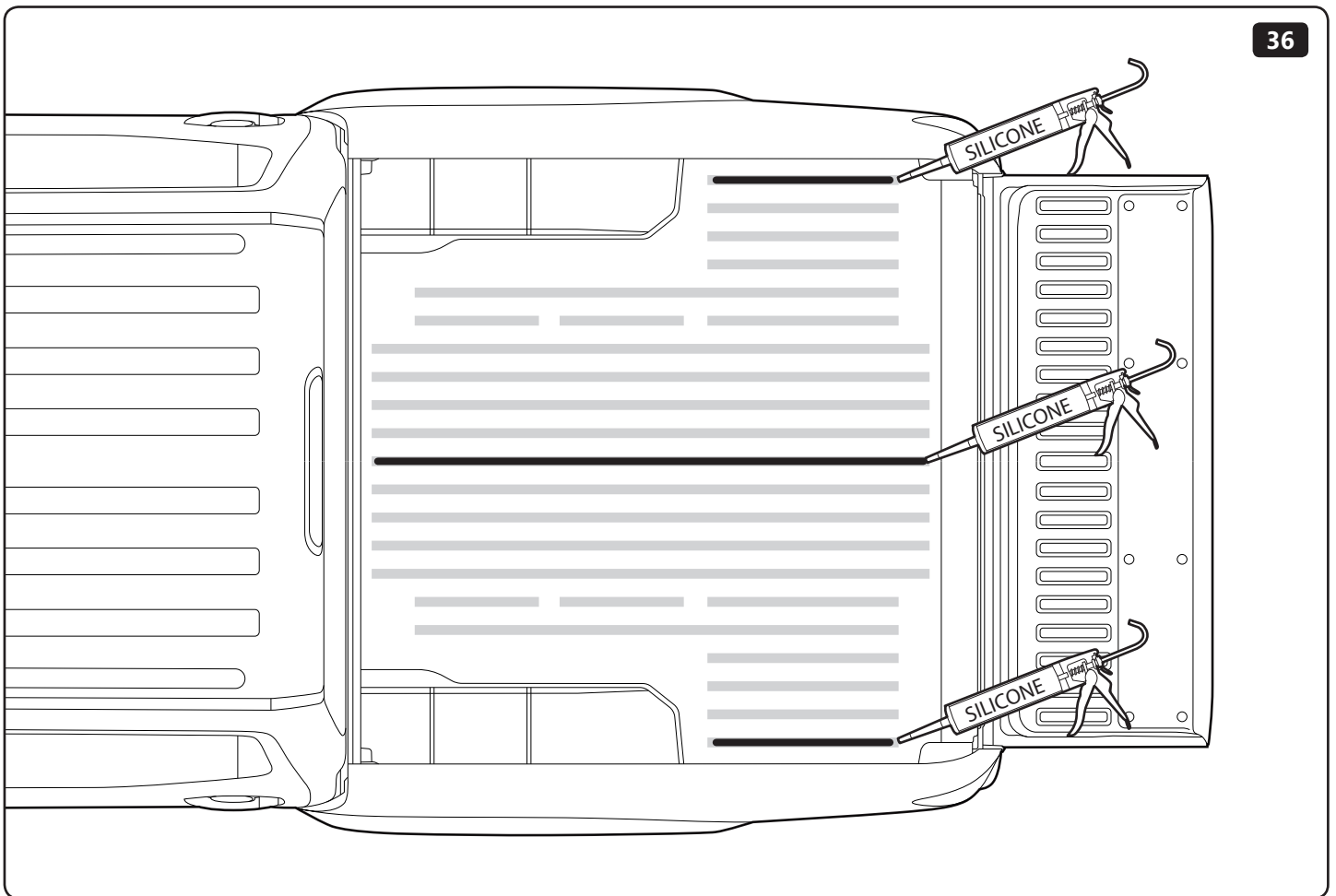
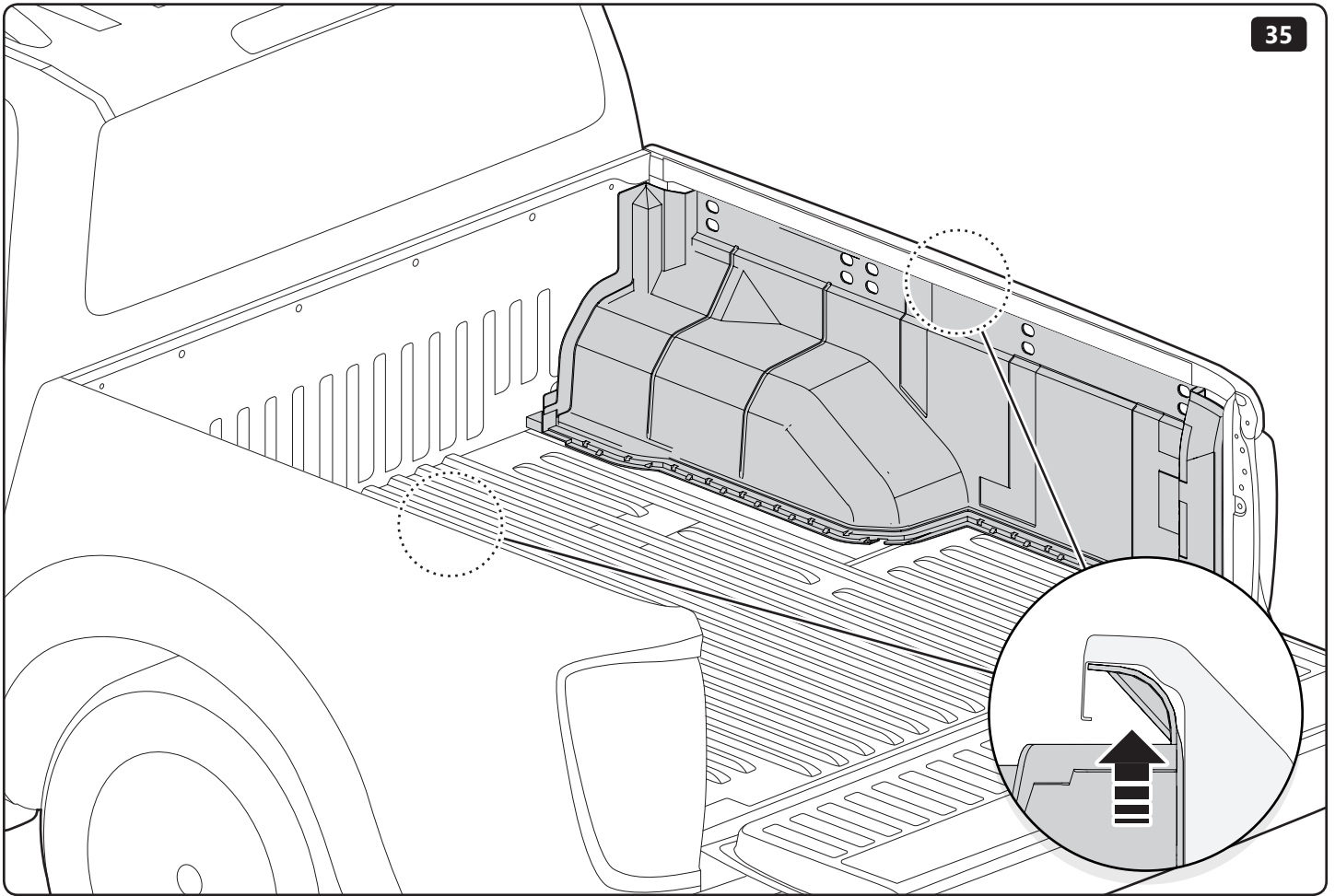


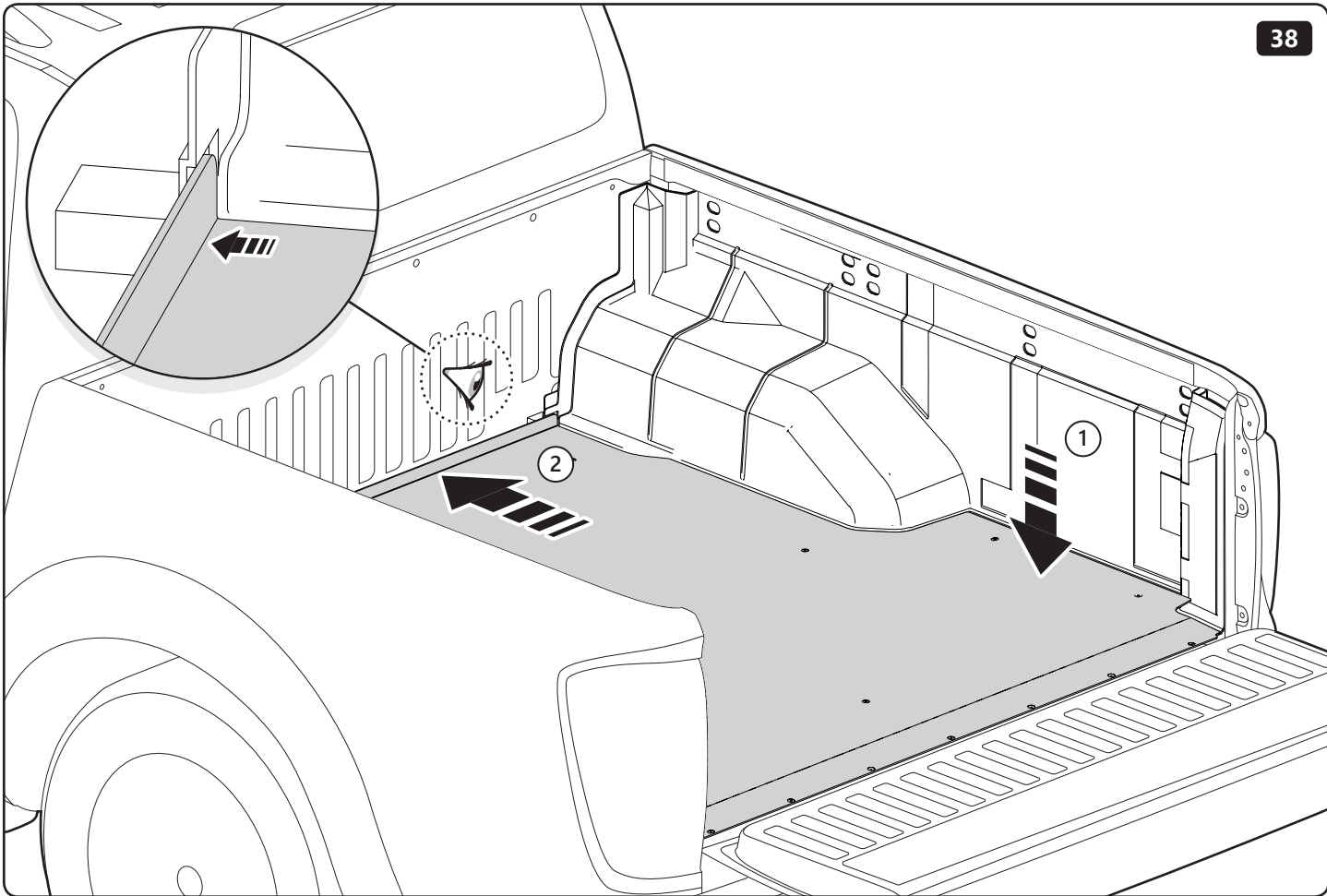
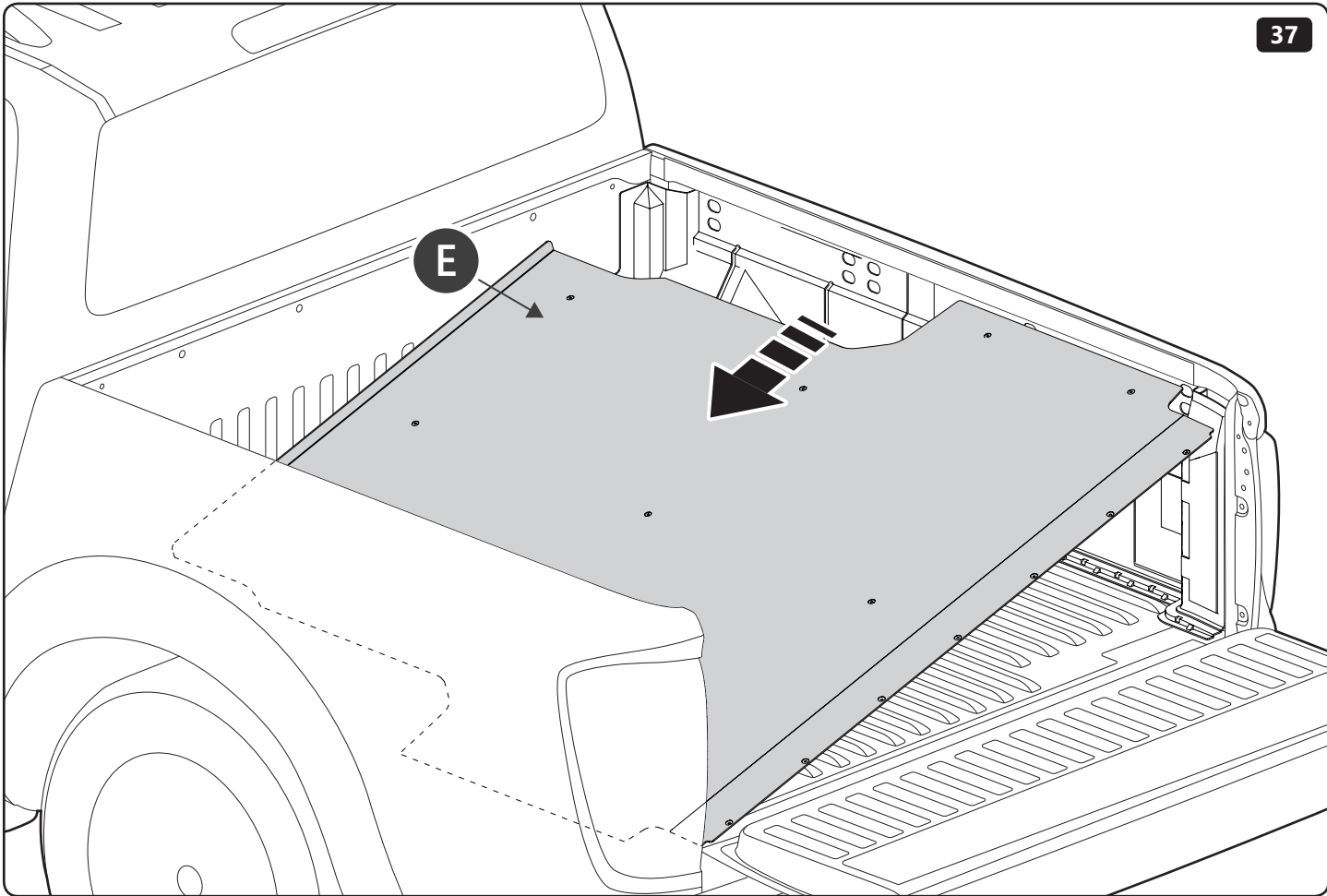




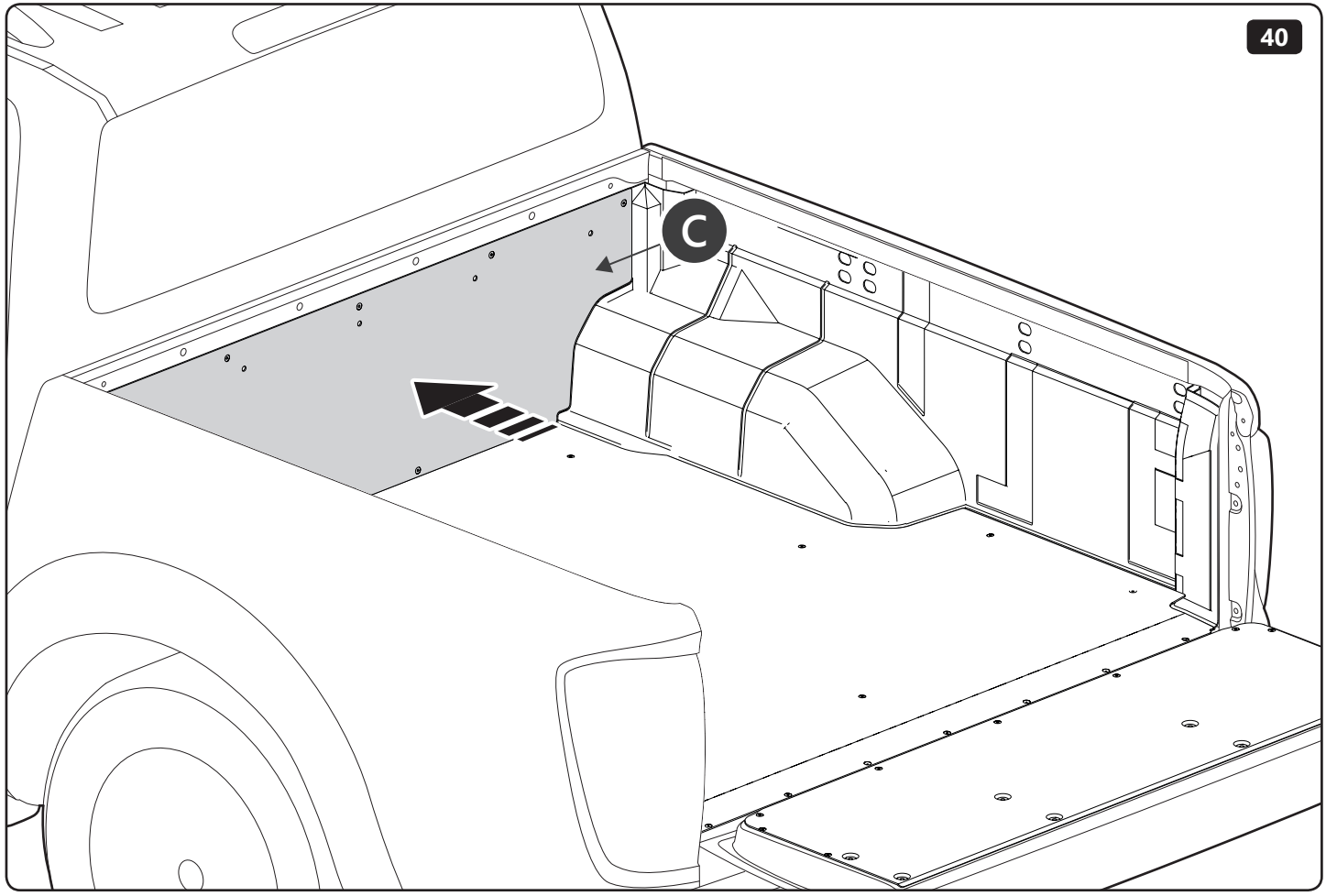
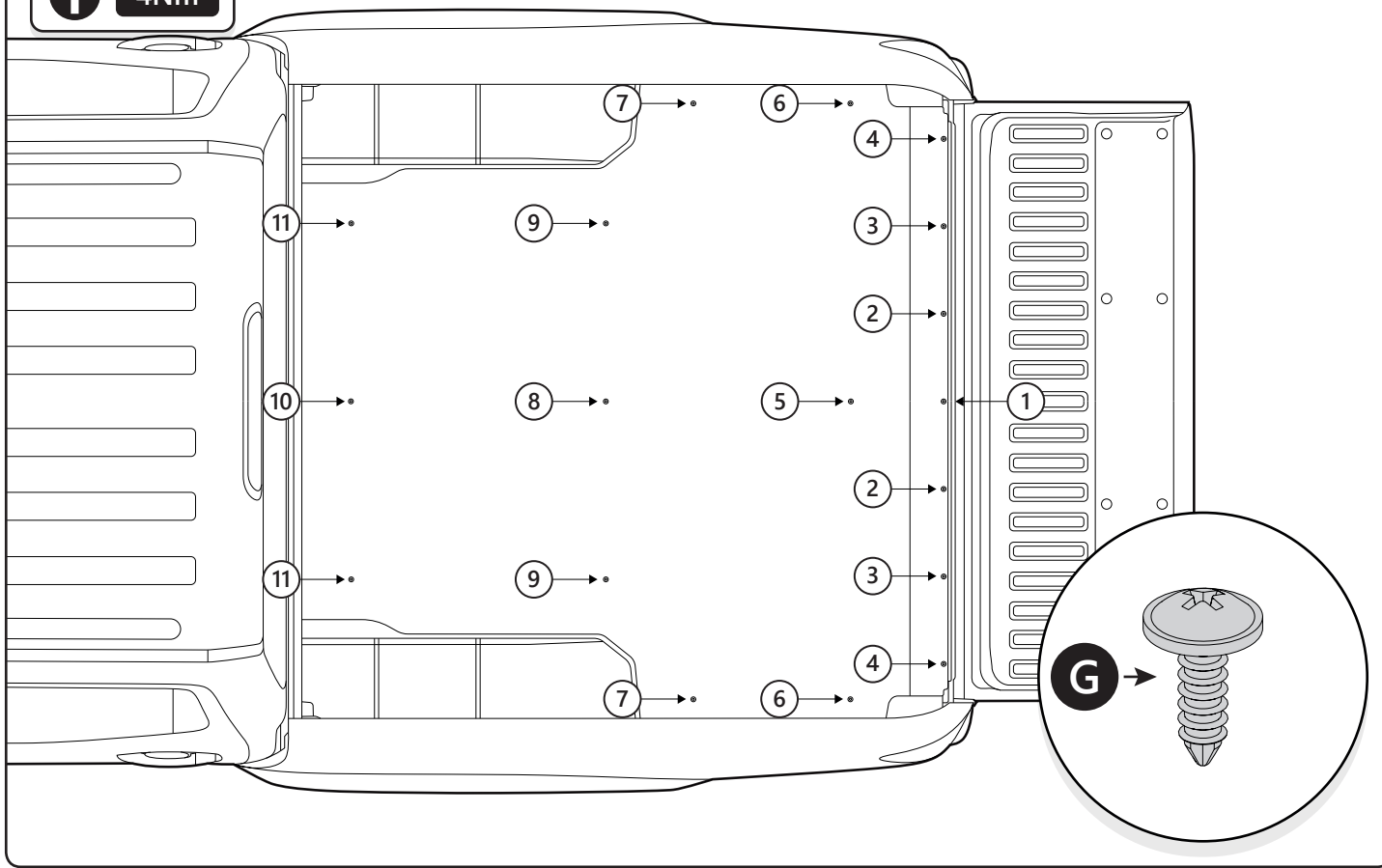


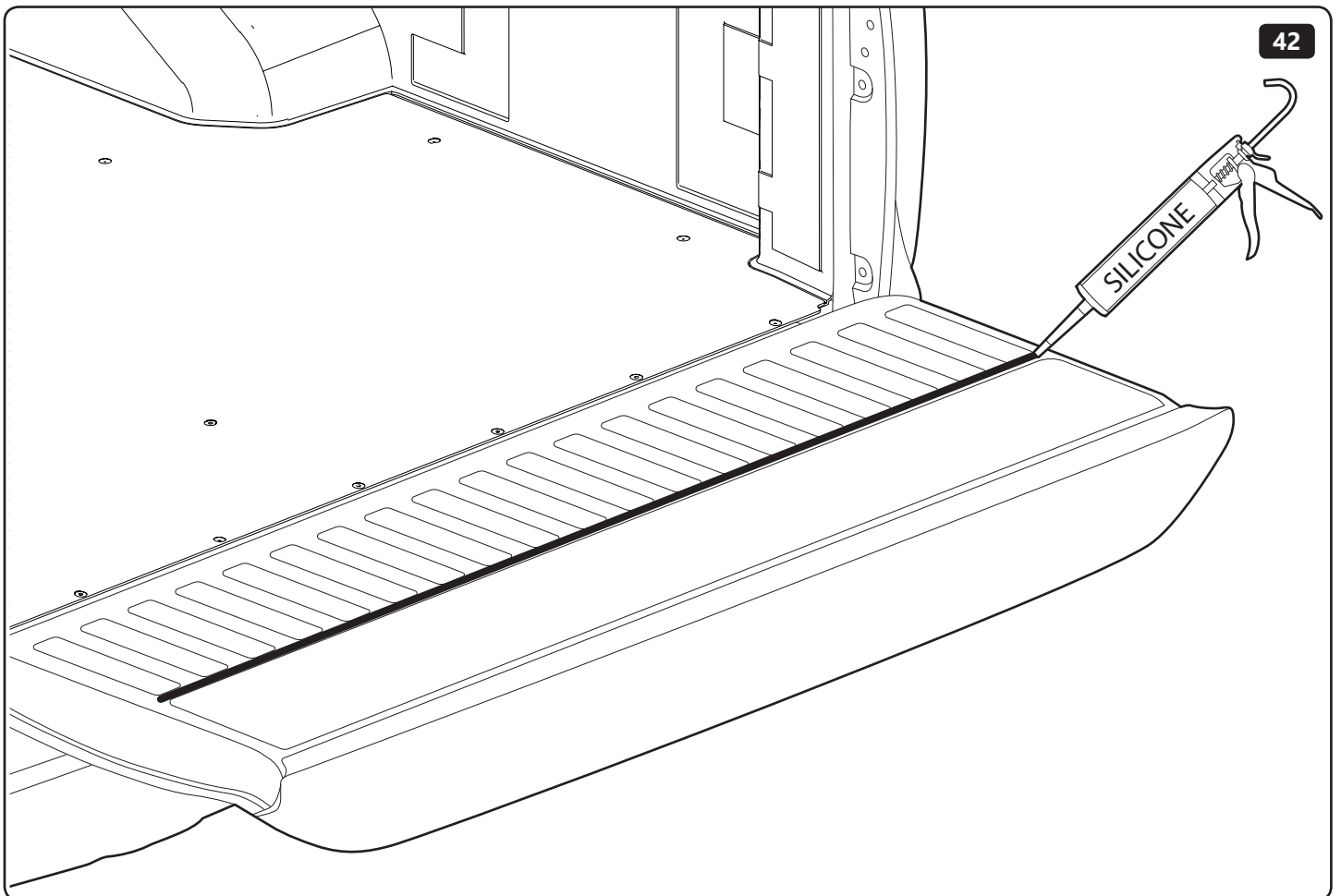
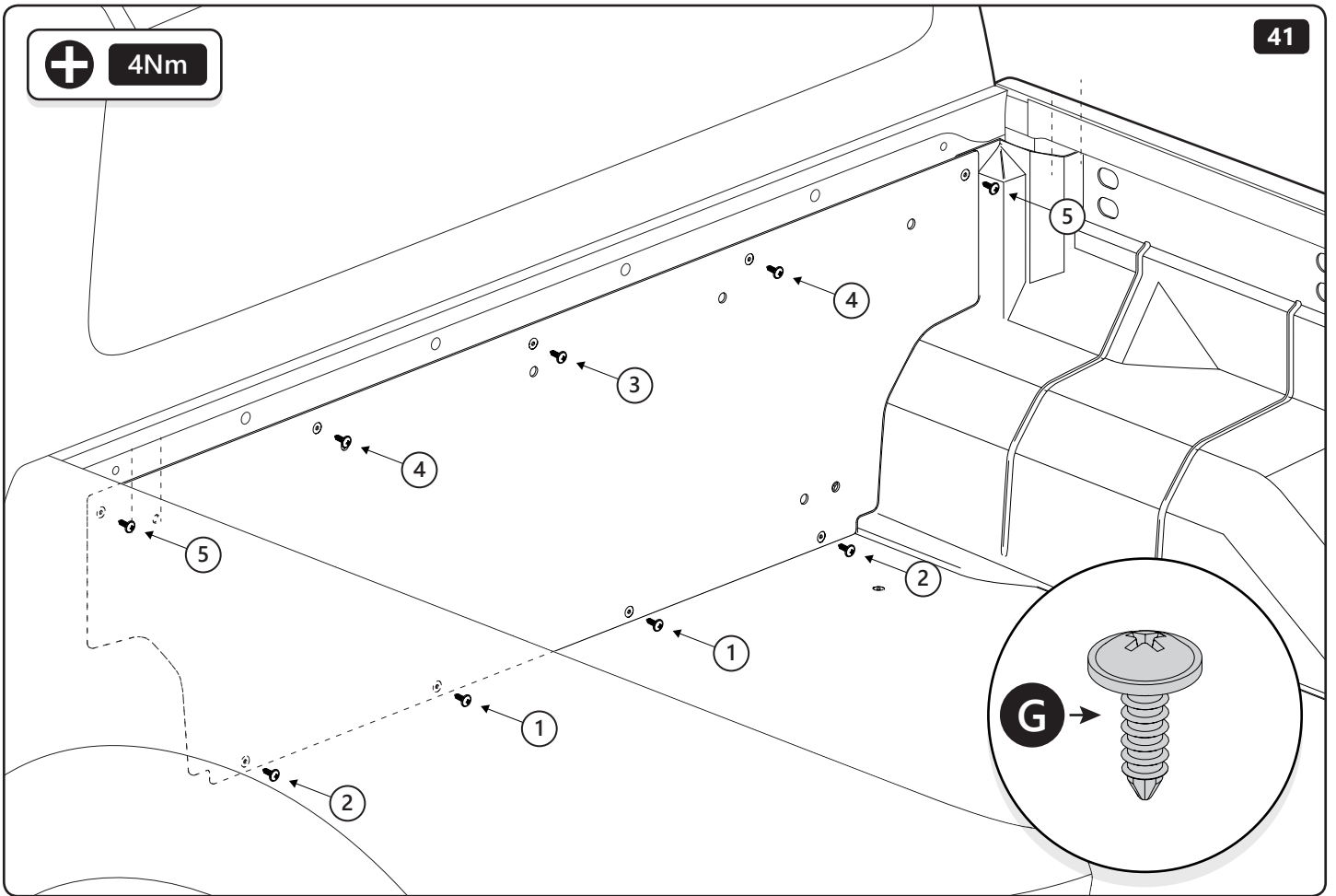


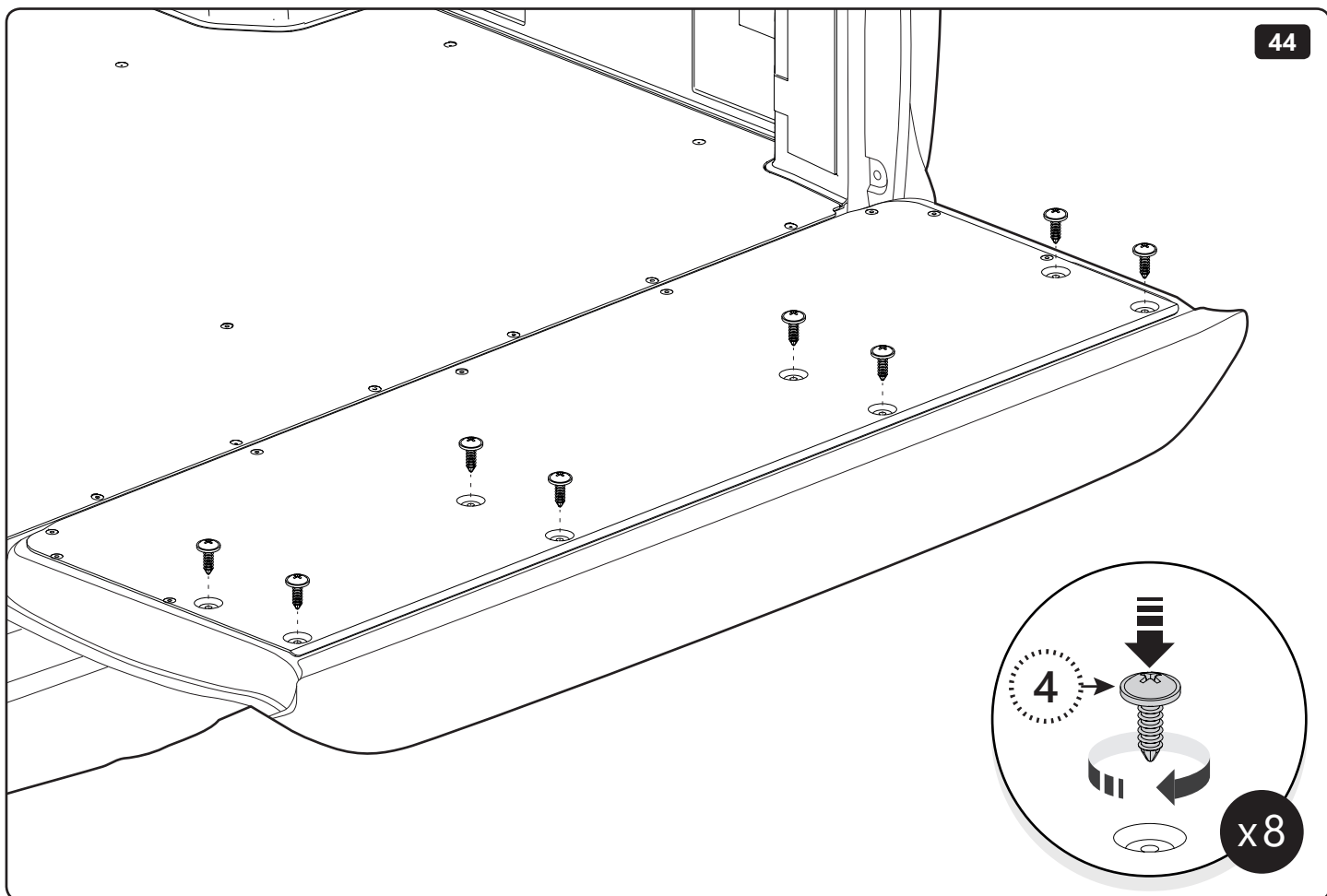
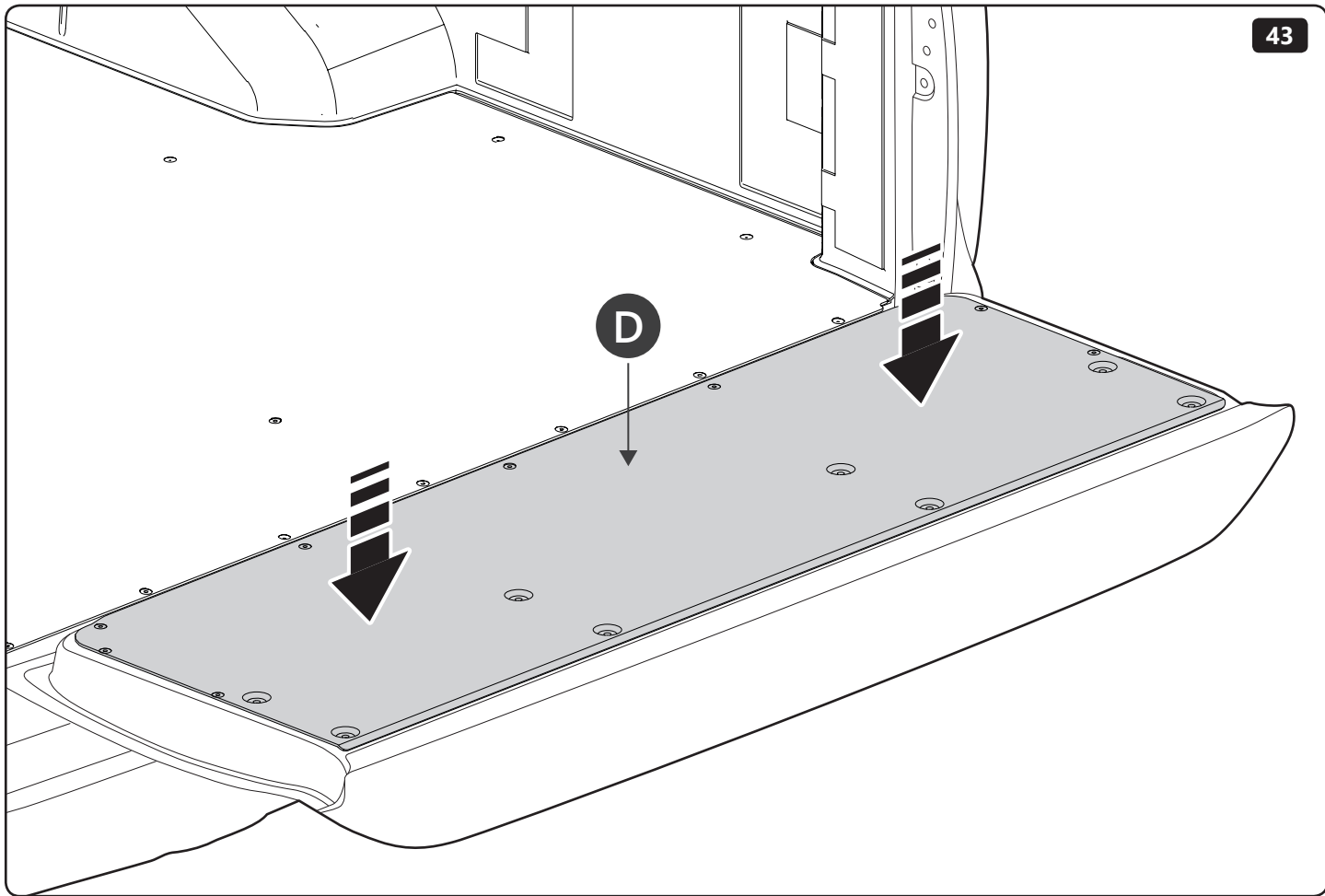




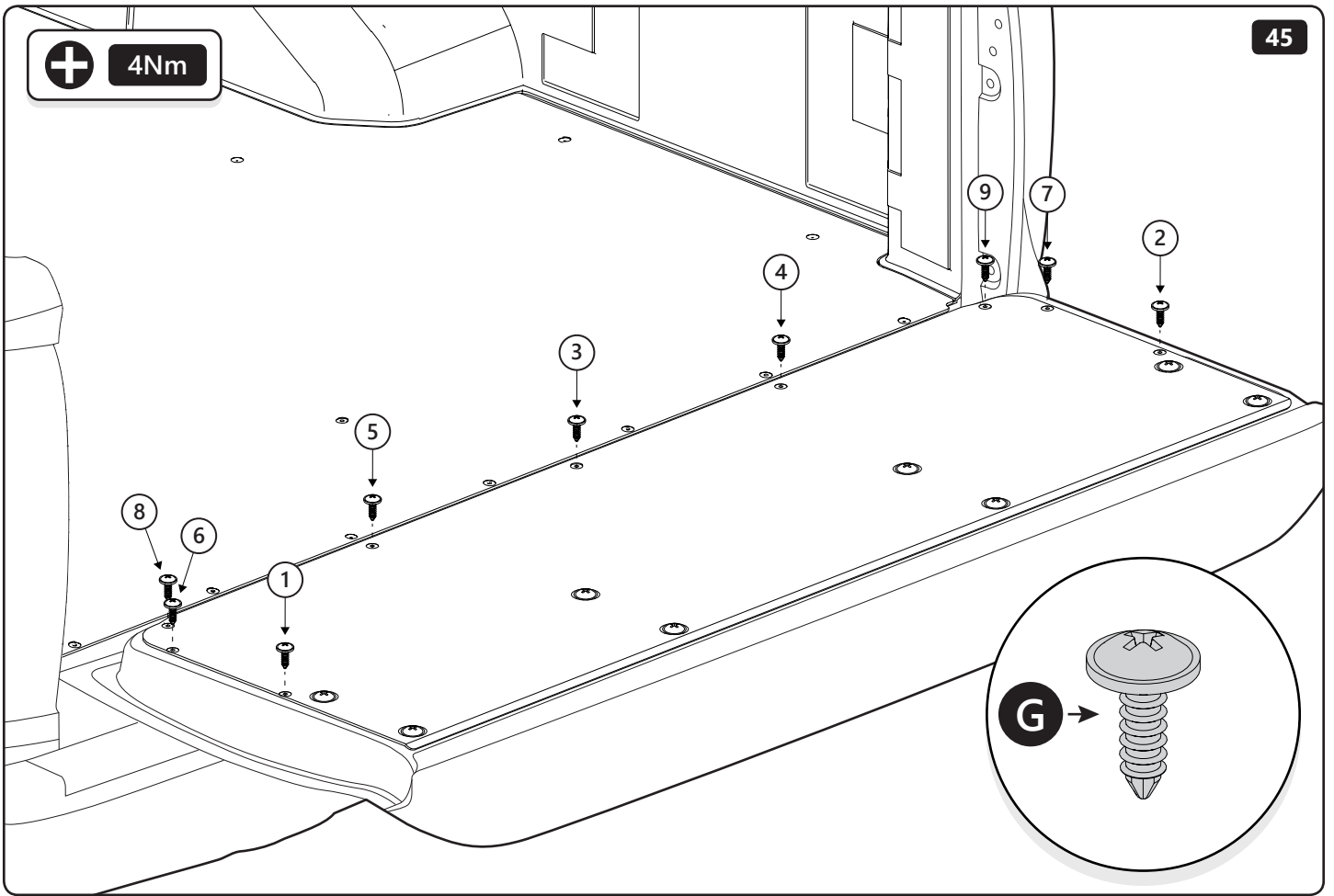
+ 4Nm

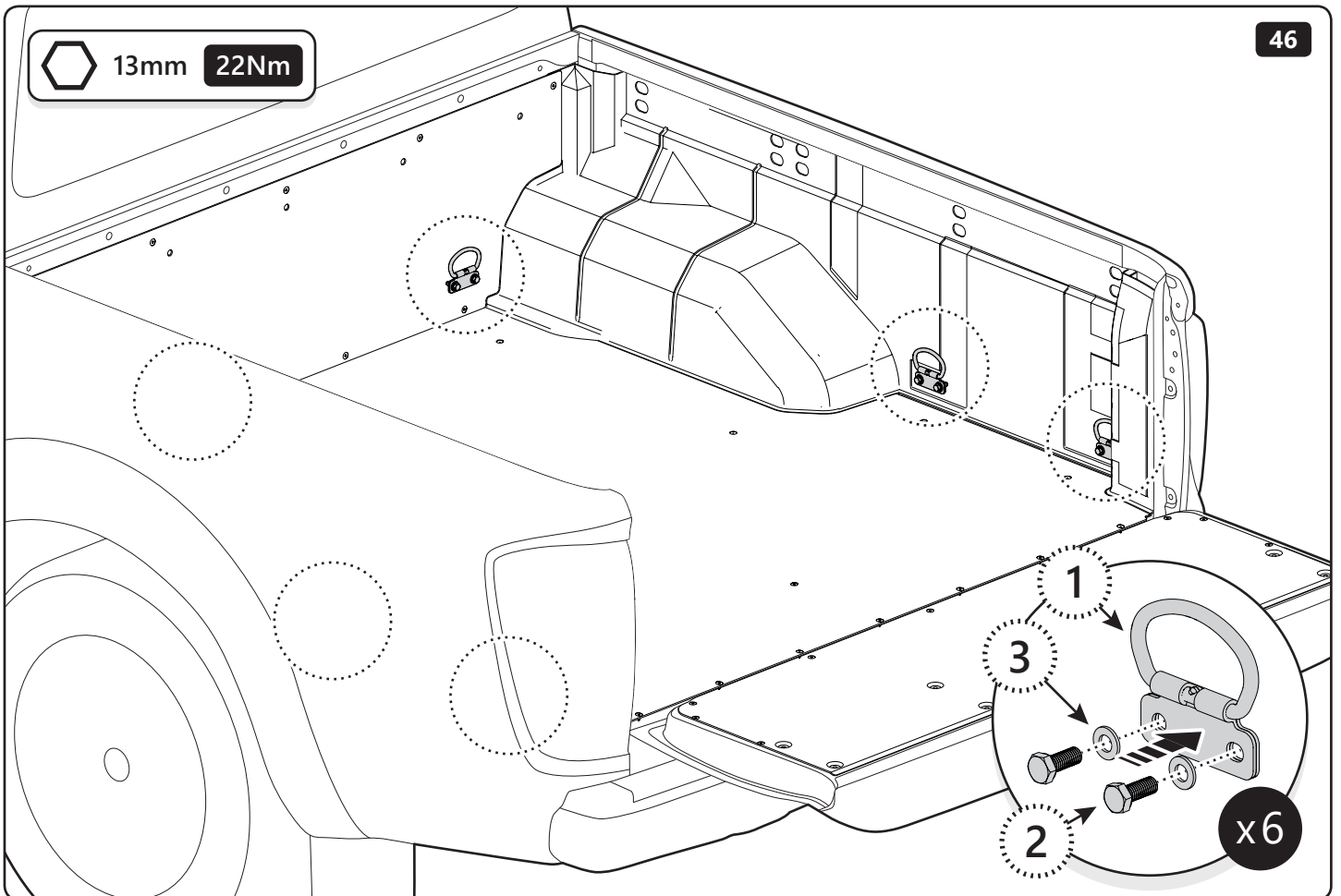
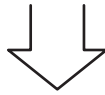
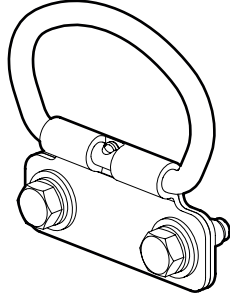


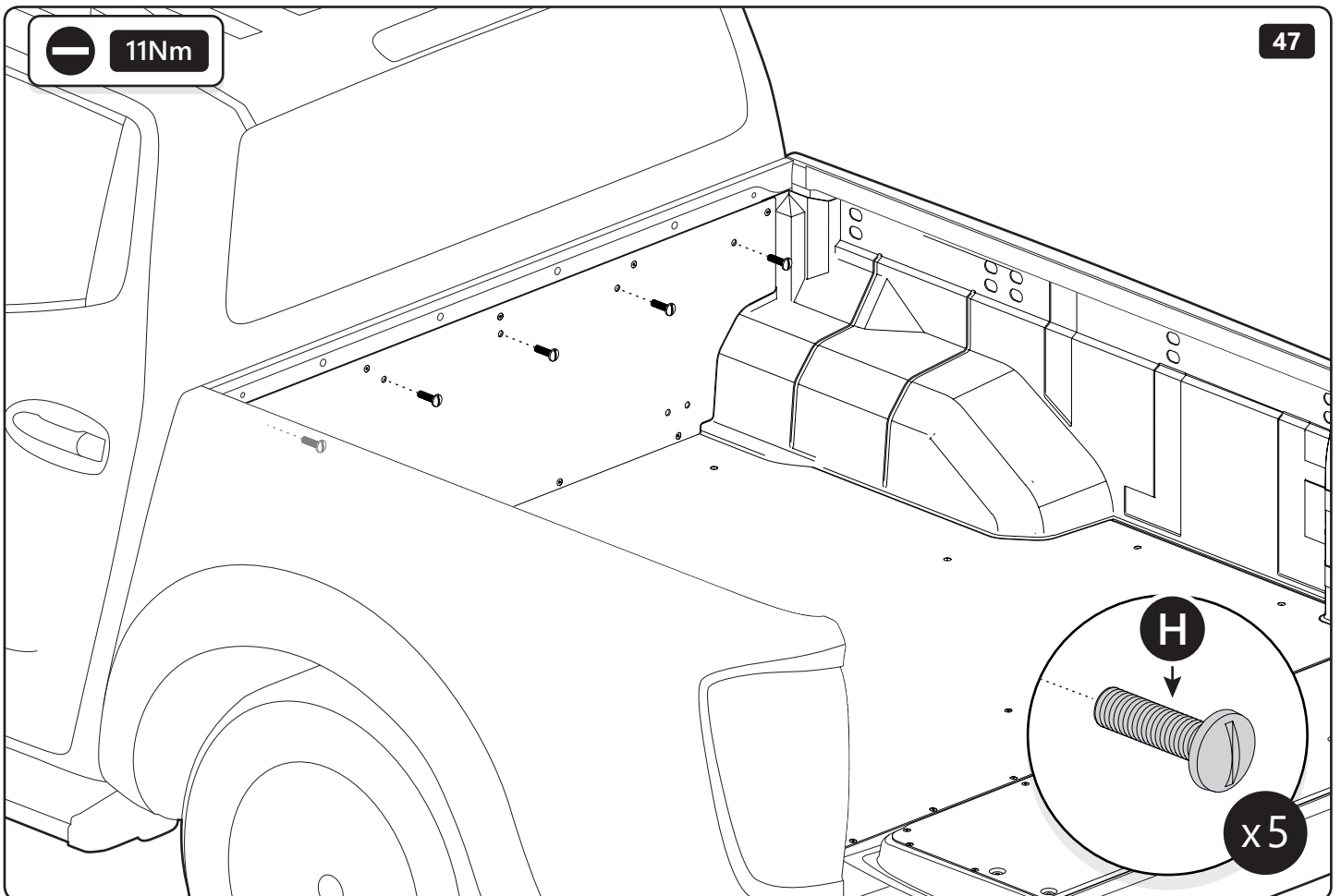
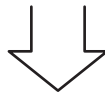
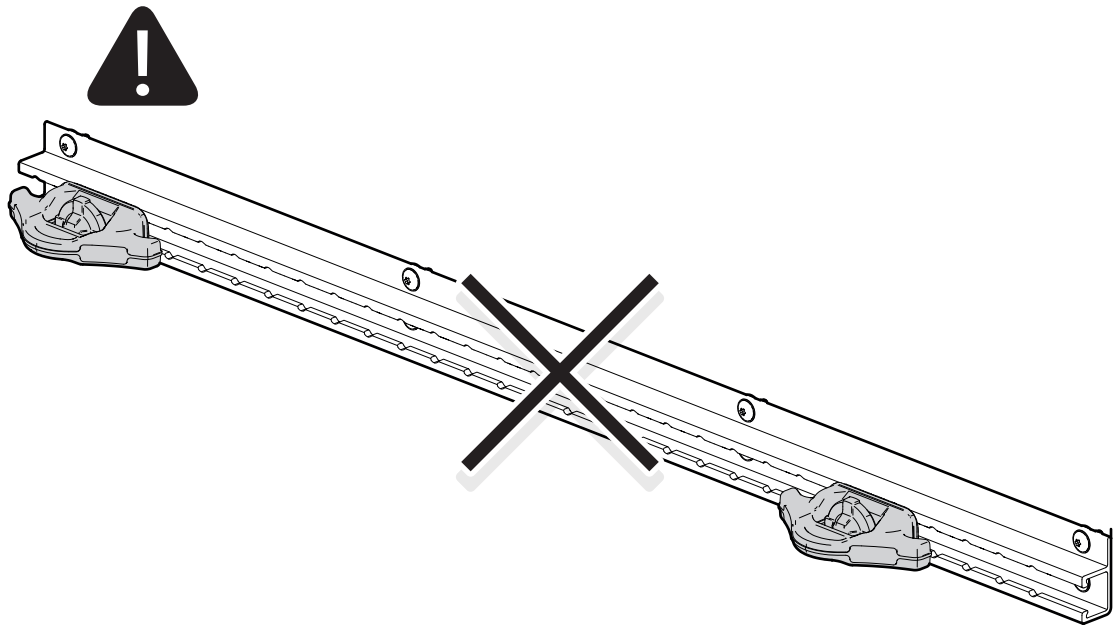


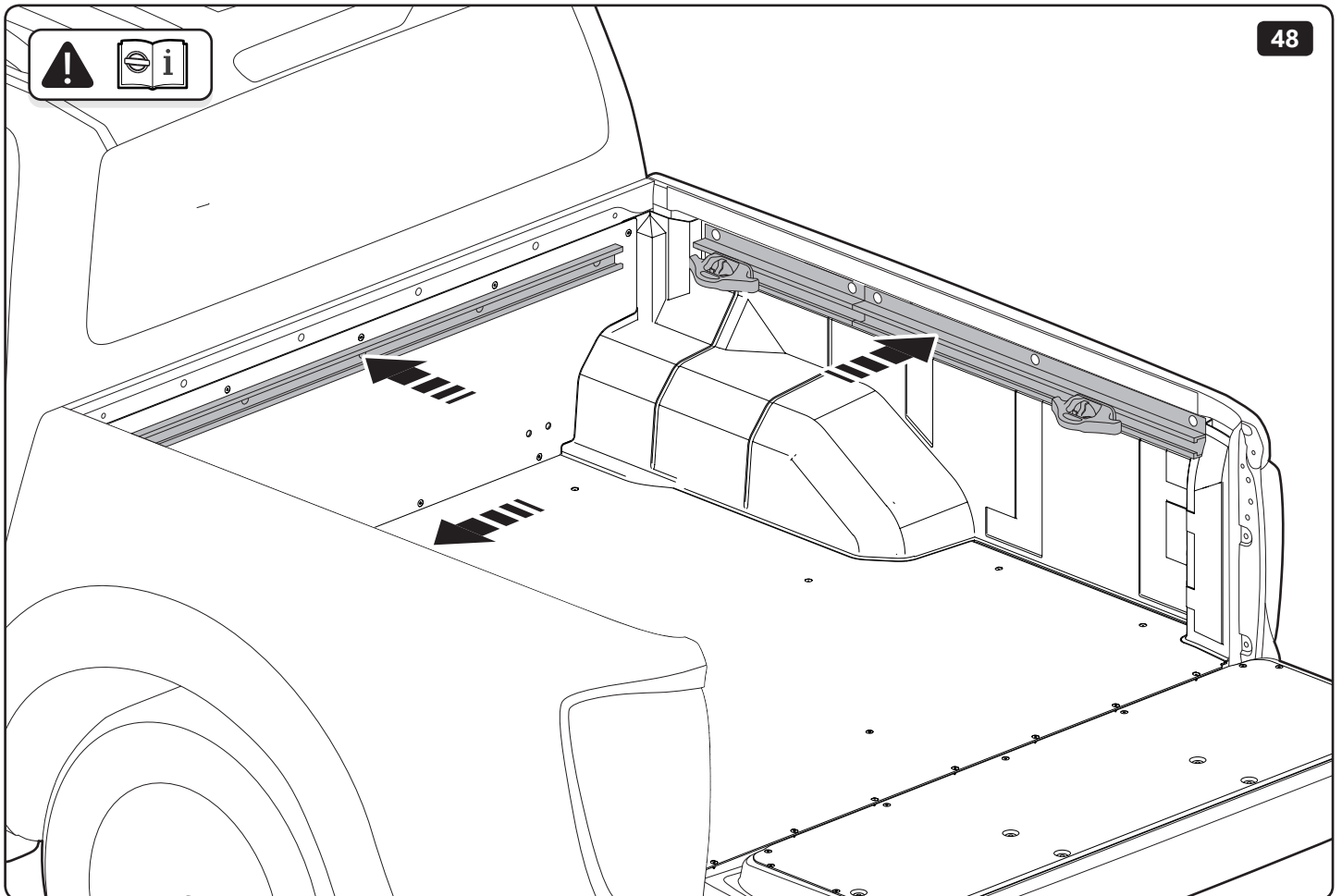
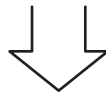
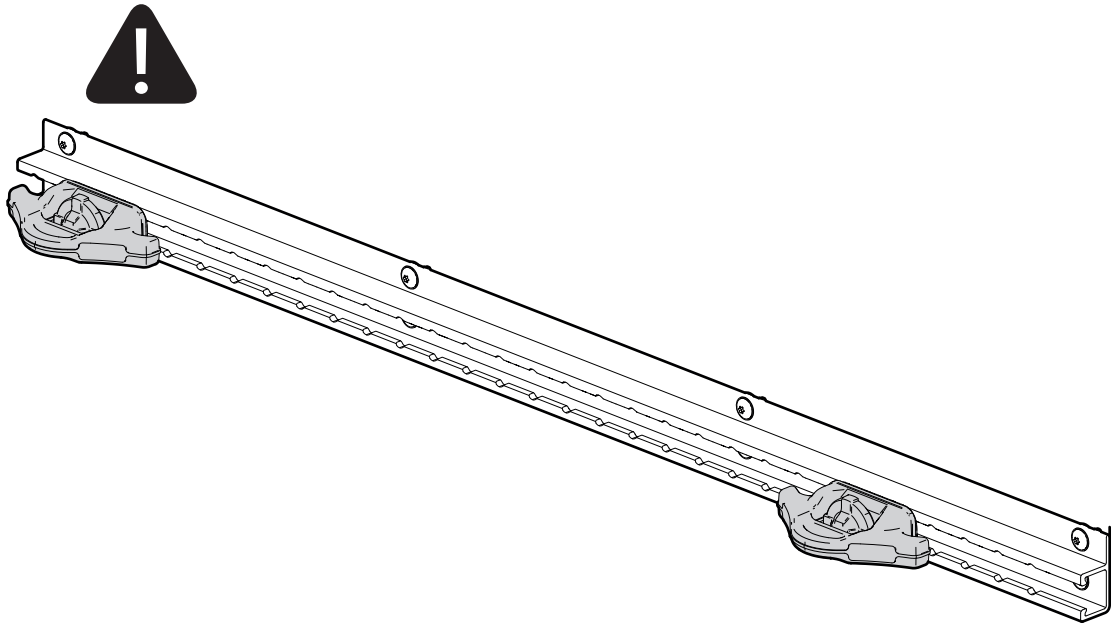


+ 4Nm











Customer Service +45 4810 2950 (08:00 - 16:00 CET)
Fax +45 4810 2960
Support info@mountaintop.dk
Website www.mountaintop.dk
Address Pedersholmparken 10, 3600 Frederikssund, Denmark

PART NUMBER(S)	MODEL / YEAR	CAB TYPE(S)	INSTALLATION TIME	WEIGHT
AL NI90	Nissan Navara / 2015 →	Double	1 hour(s)	20 Kg
AL MB90	Mercedes Benz / 2017 →	Double	1 hour(s)	20 Kg
AL RE90	Renault / 2017 →	Double	1 hour(s)	20 Kg

GB Installation manual	S Monteringsanvisning	D Einbauanleitung
SF Asennusohje	E Instrucciones de montaje	CZ Návod k instalaci
F Notice de montage	H Szerelési utasítás	I Istruzioni de montaggio
PL Instrukcja montażu	P Instruções de instalação	GR Οδηγίες Εγκατάστασης
NL Installatie-instructies	RUS Инструкция по установке	DK Monteringsvejledning
TR Montaj Talimatı	N Monteringsveiledning	RO Instructiuni de instalare